



SEPTEMBER 2025

BOARD OF DIRECTORS

CONTRACT DOCUMENTS FOR THE CONSTRUCTION OF ECHOWATER RESOURCE RECOVERY FACILITY

- R. Desmond
- R. Dickinson
- P. Hume
- R. Jennings
- L. Kaplan
- J. Karpinski-Costa
- P. Kennedy
- Q. Orozco
- P. Pluckebaum
- J. Raithel
- S. Robles
- R. Rodriguez
- D. Sander
- P. Serna
- D. Suen
- O. Villegas

LDLD ROAD REHABILITATION PROJECT

BID SET

**PART C - DRAWINGS
VOLUME 2 OF 2**

**8517
RFB NUMBER**



SEPTEMBER 2025

CONTRACT DOCUMENTS FOR THE CONSTRUCTION OF
ECHOWATER RESOURCE RECOVERY FACILITY

LDLD ROAD REHABILITATION PROJECT

BID SET

PART C - DRAWINGS

VOLUME 2 OF 2

APPROVALS

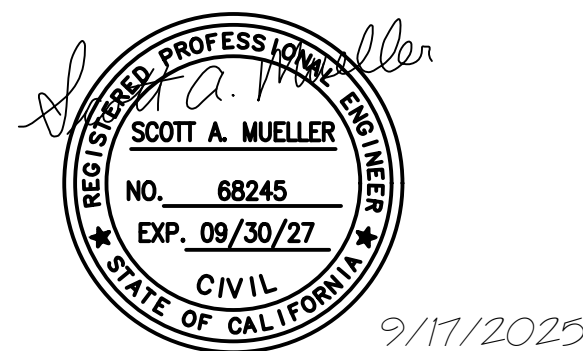
<p><small>DocuSigned by:</small> <i>Scott Mueller</i> <small>8CC175785D2E484...</small></p> <p>SUBMITTED: SCOTT MUELLER, PE PROJECT ENGINEER</p> <p>9/17/2025 DATE</p>	<p><small>Signed by:</small> <i>Daniel Wilson</i> <small>956FF4D1748A487...</small></p> <p>SUBMITTAL APPROVED: DANIEL WILSON, PE PROJECT MANAGER</p> <p>9/17/2025 DATE</p>		
<p><small>Signed by:</small> <i>Mike Crooks</i> <small>12E140E2AE69746...</small></p> <p>SUBMITTAL APPROVED: MIKE CROOKS, PE DEPUTY DIRECTOR, ECHOWATER OPERATIONS DEPARTMENT</p> <p>9/17/2025 DATE</p>	<p><small>Signed by:</small> <i>C. Lund</i> <small>1C99F8A8E2D048E...</small></p> <p>SUBMITTAL APPROVED: SONNY LUNDE, PE DIRECTOR, ECHOWATER OPERATIONS DEPARTMENT</p> <p>9/17/2025 DATE</p>	<p><small>DocuSigned by:</small> <i>Christoph Dobson</i> <small>ABF187D2C08541C...</small></p> <p>APPROVED: CHRISTOPH DOBSON, PE DISTRICT ENGINEER</p> <p>9/18/2025 DATE</p>	<p>RFB NUMBER 8517</p>

SHEET INDEX

SHEET NO	DRAWING NO	DESCRIPTION
1	G-000	COVER SHEET
2	G-001	SIGNATURE SHEET
3	G-002	SHEET INDEX AND ABBREVIATIONS
4	GI001	LOCATION MAPS AND SITE ACCESS
5	C-501	DETAILS
6	C-001	PLAN VIEW
7	C-002	PLAN-UTILITIES VIEW KEY MAP
8	CG101	PLAN-UTILITIES AREA A
9	CG102	PLAN-UTILITIES AREA B
10	CG103	PLAN-UTILITIES AREA C
11	CG104	PLAN-UTILITIES AREA D
12	CG105	PLAN-UTILITIES AREA E
13	C-301	TYPICAL ROADWAY SECTIONS
14	C-401	INTERSECTION PARTIAL PLAN 1
15	C-402	INTERSECTION PARTIAL PLAN 2
16	C-403	INTERSECTION PARTIAL PLAN 3

ABBREVIATIONS

AC	ASPHALT CONCRETE	MAX	MAXIMUM
AB	AGGREGATE BASE, ANCHOR BOLT	MIN	MINIMUM, MINUTE
APPROX	APPROXIMATELY	(N)	NEW
BF	BLIND FLANGE	OC	ON CENTER
BRF	BIOSOLIDS RECYCLING FACILITY	OG	ORIGINAL GRADE
CL OR CL	CENTER LINE	PD	PUMPED DRAINAGE
CIP	CAST IN PLACE	PI	PRESSURE INDICATOR, POINT OF INTERSECTION
CLV	CHLORINE VACUUM	PL	PLATE
CO	CLEANOUT	RCP	REINFORCED CONCRETE PIPE
CONC	CONCRETE	RCPD	REINFORCED CONCRETE PIPE, DRAINAGE
CSP	CORRUGATED STEEL PIPE	REQ'D	REQUIRED
D	DRAIN	SCH	SCHEDULE
DIA	DIAMETER	SD	SANITARY DRAIN
DIP	DUCTILE IRON PIPE	SE	SECONDARY EFFLUENT
DLD	DEDICATED LAND DISPOSAL	SDB	SIGNAL DUCTBANK
DS	DIGESTED SLUDGE	SN	SUPERNATANT
DWG(S)	DRAWING(S)	SOV	SULFUR DIOXIDE VACUUM
EF	EACH FACE	SS, SST	STAINLESS STEEL
EL	ELEVATION	STD	STORM DRAIN
EP	EDGE OF PAVEMENT	STL	STEEL
ES	EDGE OF SHOULDER, EACH SIDE	TOC	TOP OF CONCRETE
(E) OR EXIST	EXISTING	TYP	TYPICAL
FDR	FULL DEPTH RECLAMATION	VAR	VARIES
FE	FINAL EFFLUENT	VERT	VERTICAL
FH	FIRE HYDRANT, FLATHEAD	W/	WITH
FL OR FL	FLOWLINE	WN	NON-POTABLE WATER
FUT	FUTURE	WR	RECLAIMED WATER, DRAIN
GTD	GRADE TO DRAIN	WRF	RECLAIMED WATER, FILTERED
HOR	HORIZONTAL	WRH	RECLAIMED WATER, HIGH PRESSURE
HS	HARVESTED SLUDGE	WRL	RECLAIMED WATER, LOW PRESSURE
IE	INVERT ELEVATION	WSP	WELDED STEEL PIPE
LDLD	LINED DEDICATED LAND DISPOSAL	WS	WATER SURFACE
LV	LOW VOLTAGE		



REVISIONS				
ZONE	REV.	DESCRIPTION	BY	DATE

FILE _____
DRAWN _____ SM
DESIGNED _____ SM
CHECKED _____ DTW

RFB 8517

SACRAMENTO AREA
SEWER DISTRICT

ECHOWATER RESOURCE
RECOVERY FACILITY
LDLD ROAD
REHABILITATION PROJECT

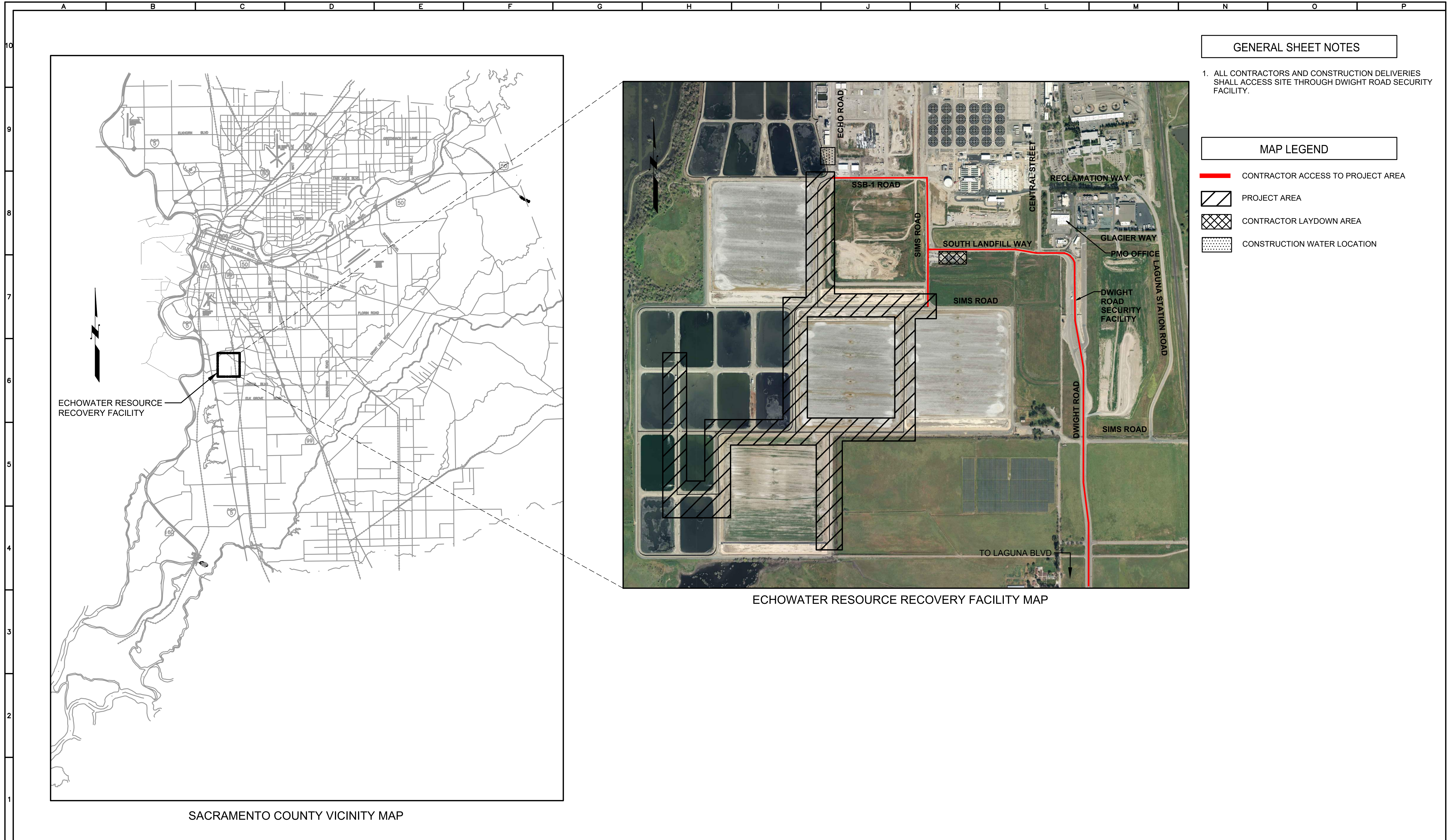
GENERAL

SHEET INDEX AND ABBREVIATIONS

SCALE
NO SCALE

DRAWING NUMBER
G-002

SHEET NUMBER
3 OF 16



GENERAL SHEET NOTES

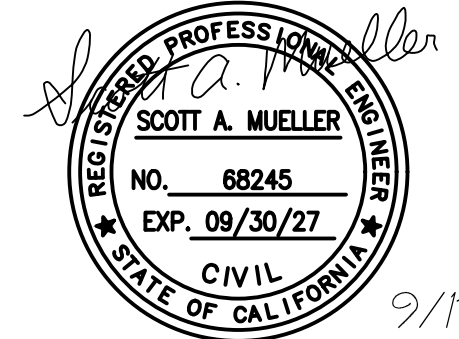
1. ALL CONTRACTORS AND CONSTRUCTION DELIVERIES SHALL ACCESS SITE THROUGH DWIGHT ROAD SECURITY FACILITY.

MAP LEGEND

- CONTRACTOR ACCESS TO PROJECT AREA
- PROJECT AREA
- CONTRACTOR LAYDOWN AREA
- CONSTRUCTION WATER LOCATION

ECHOWATER RESOURCE RECOVERY FACILITY MAP

SACRAMENTO COUNTY VICINITY MAP



9/17/2025

REVISIONS				
ZONE	REV.	DESCRIPTION	BY	DATE

FILE _____
DRAWN _____ SM
DESIGNED _____ SM
CHECKED _____ DTW

LINE IS 2 INCHES AT FULL SIZE (IF NOT 2"-SCALE ACCORDINGLY)

RFB 8517

SACRAMENTO AREA SEWER DISTRICT

ECHOWATER RESOURCE RECOVERY FACILITY

LDLD ROAD REHABILITATION PROJECT

GENERAL

LOCATION MAPS AND SITE ACCESS

SCALE

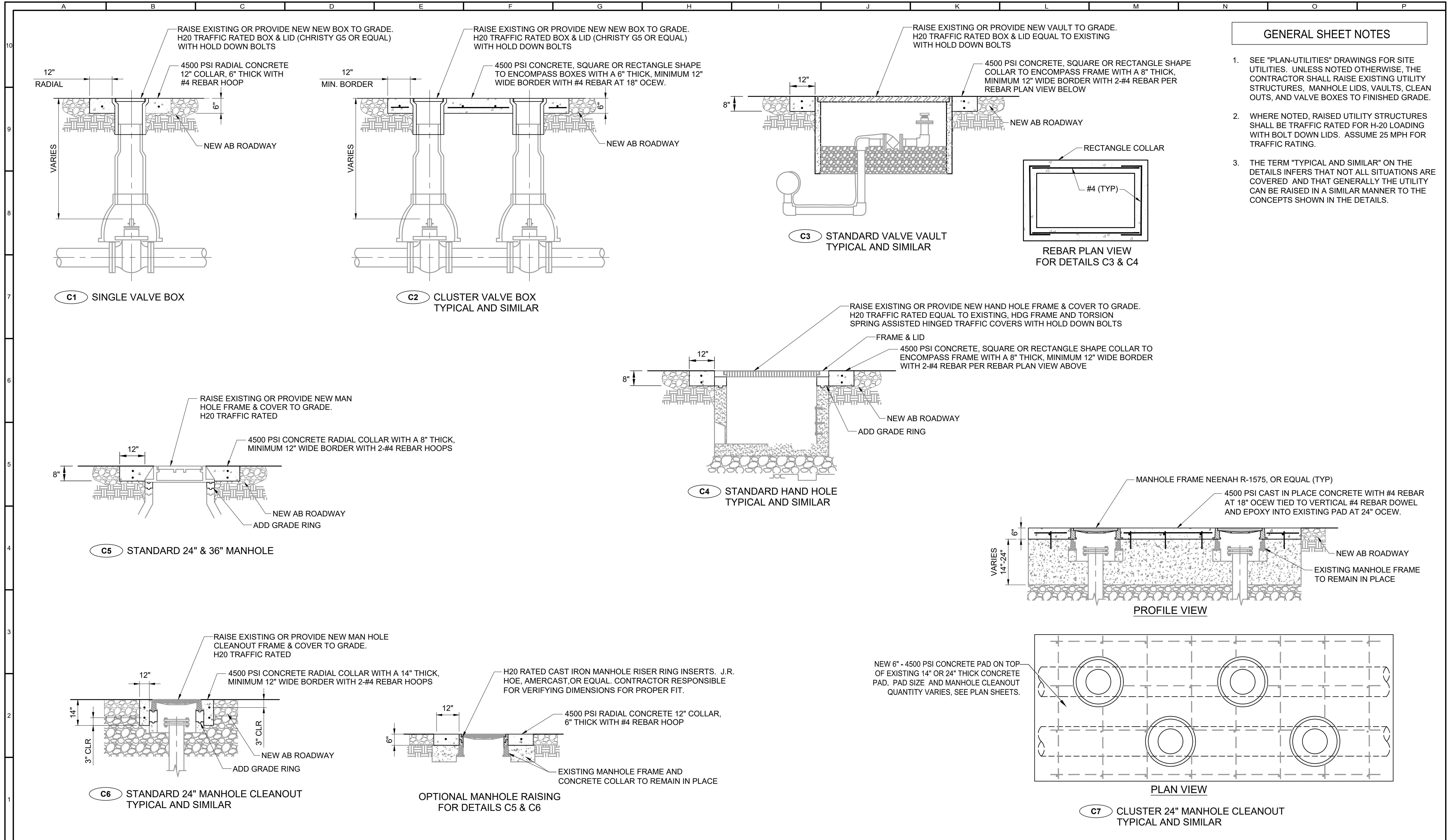
NO SCALE

DRAWING NUMBER

G1001

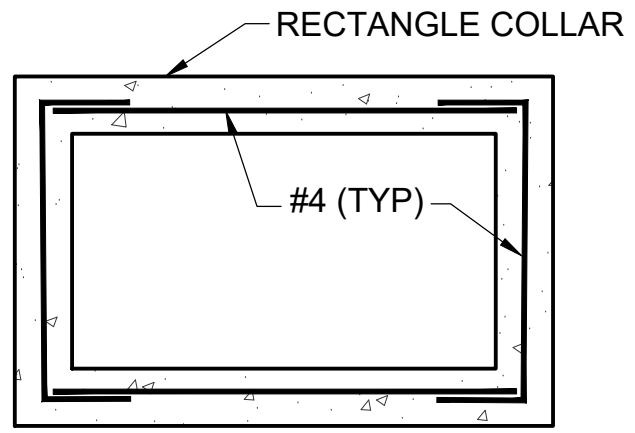
SHEET NUMBER

4 OF 16

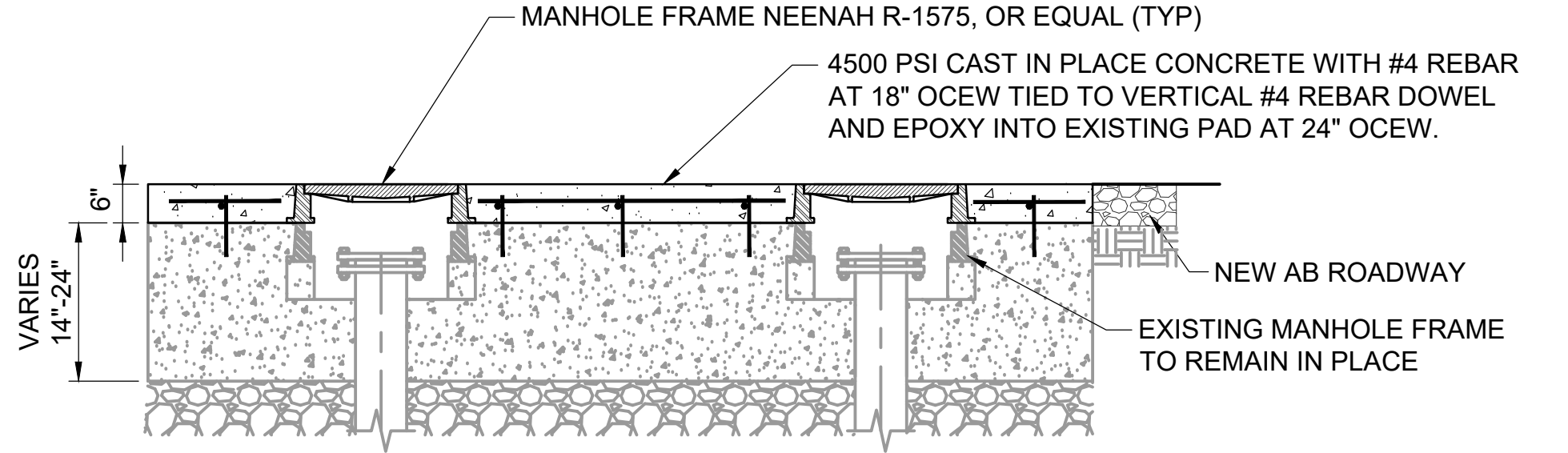


GENERAL SHEET NOTES

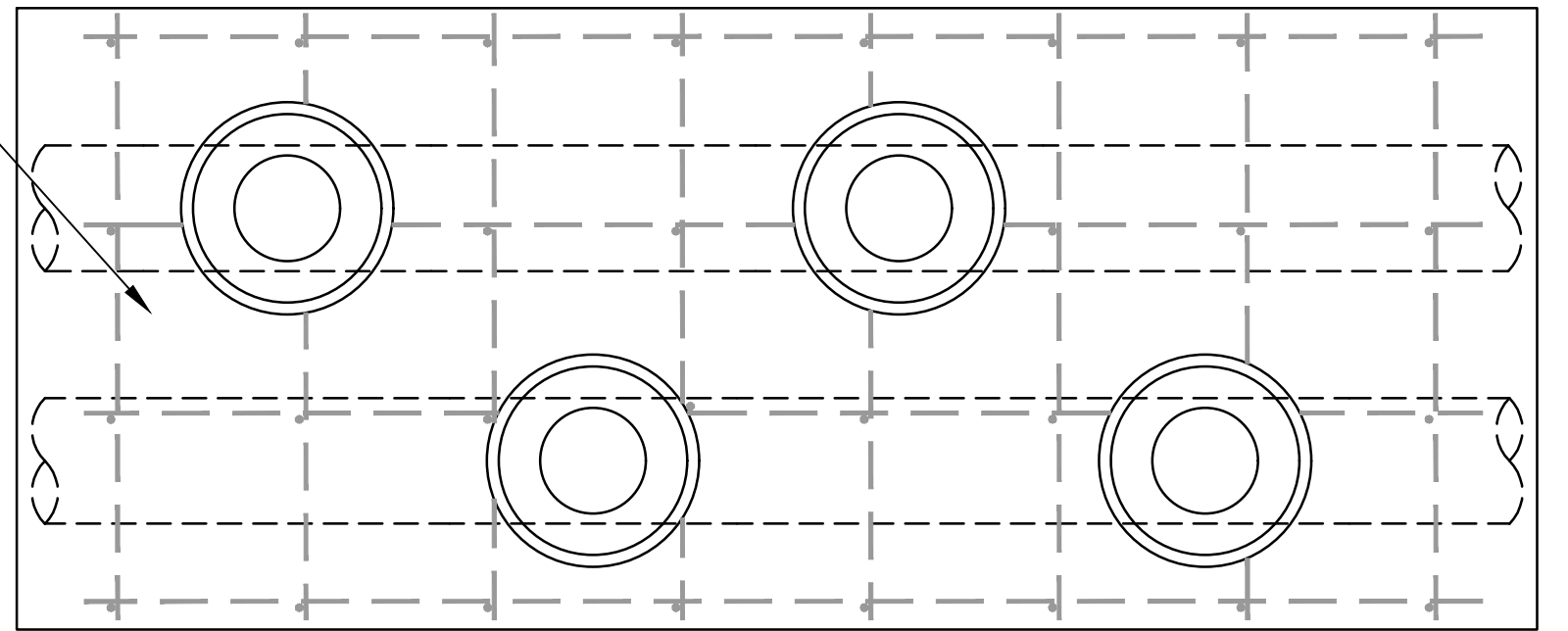
- SEE "PLAN-UTILITIES" DRAWINGS FOR SITE UTILITIES. UNLESS NOTED OTHERWISE, THE CONTRACTOR SHALL RAISE EXISTING UTILITY STRUCTURES, MANHOLE LIDS, VAULTS, CLEAN OUTS, AND VALVE BOXES TO FINISHED GRADE.
- WHERE NOTED, RAISED UTILITY STRUCTURES SHALL BE TRAFFIC RATED FOR H-20 LOADING WITH BOLT DOWN LIDS. ASSUME 25 MPH FOR TRAFFIC RATING.
- THE TERM "TYPICAL AND SIMILAR" ON THE DETAILS INFERS THAT NOT ALL SITUATIONS ARE COVERED AND THAT GENERALLY THE UTILITY CAN BE RAISED IN A SIMILAR MANNER TO THE CONCEPTS SHOWN IN THE DETAILS.



REBAR PLAN VIEW FOR DETAILS C3 & C4

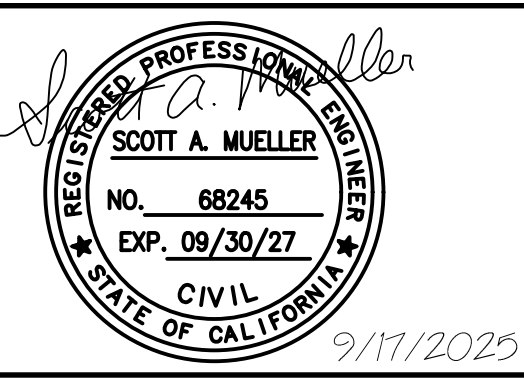


PROFILE VIEW



PLAN VIEW

C7 CLUSTER 24\"/>



REVISIONS				
ZONE	REV.	DESCRIPTION	BY	DATE

FILE	
DRAWN	SM
DESIGNED	SM
CHECKED	DTW

LINE IS 2 INCHES AT FULL SIZE (IF NOT 2" SCALE ACCORDINGLY)

RFB 8517

SACRAMENTO AREA SEWER DISTRICT

ECHOWATER RESOURCE RECOVERY FACILITY

LDLD ROAD REHABILITATION PROJECT

CIVIL

DETAILS

SCALE

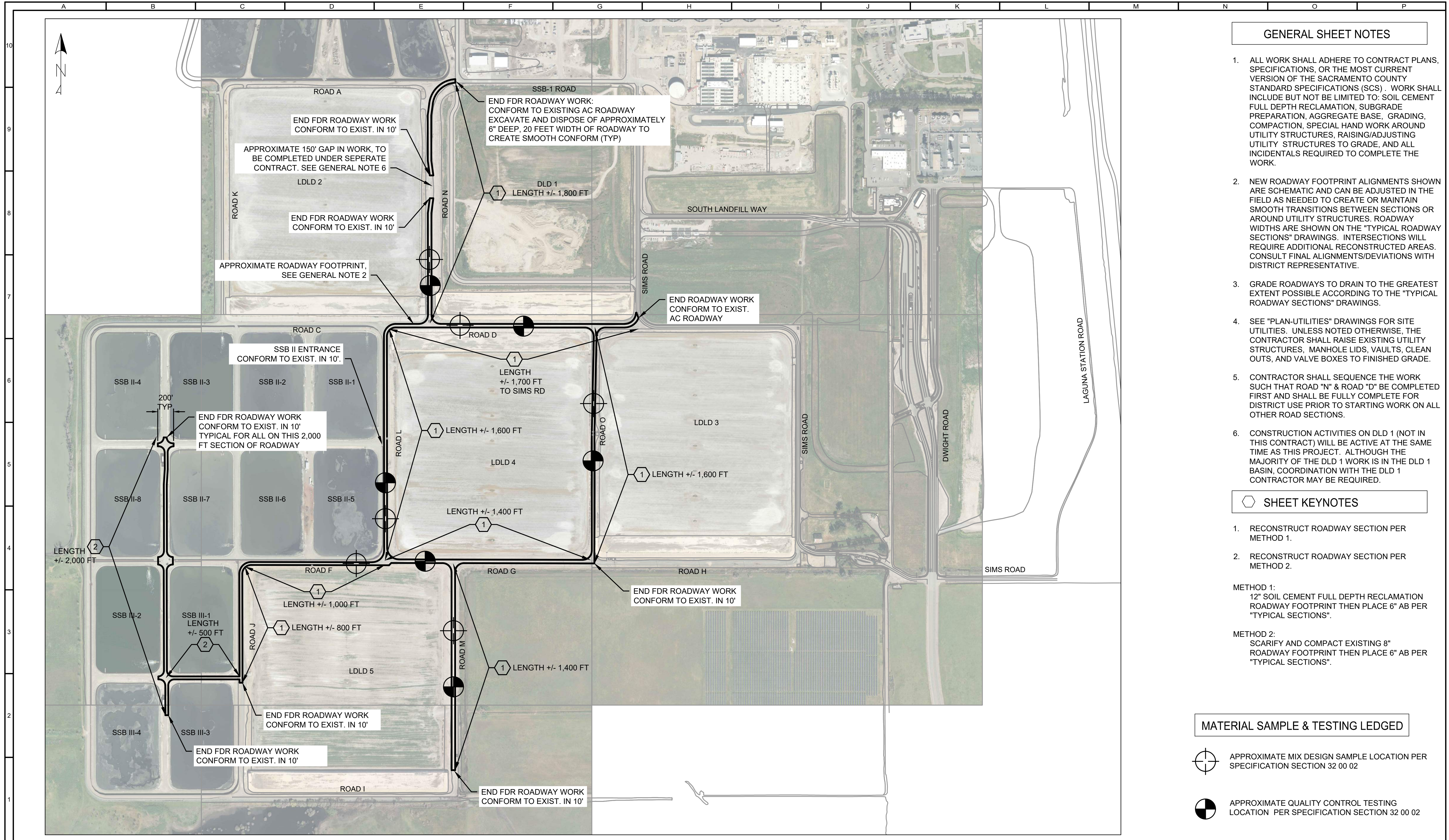
NO SCALE

DRAWING NUMBER

C-501

SHEET NUMBER

5 OF 16



GENERAL SHEET NOTES

1. ALL WORK SHALL ADHERE TO CONTRACT PLANS, SPECIFICATIONS, OR THE MOST CURRENT VERSION OF THE SACRAMENTO COUNTY STANDARD SPECIFICATIONS (SCS). WORK SHALL INCLUDE BUT NOT BE LIMITED TO: SOIL CEMENT FULL DEPTH RECLAMATION, SUBGRADE PREPARATION, AGGREGATE BASE, GRADING, COMPACTION, SPECIAL HAND WORK AROUND UTILITY STRUCTURES, RAISING/ADJUSTING UTILITY STRUCTURES TO GRADE, AND ALL INCIDENTALS REQUIRED TO COMPLETE THE WORK.
2. NEW ROADWAY FOOTPRINT ALIGNMENTS SHOWN ARE SCHEMATIC AND CAN BE ADJUSTED IN THE FIELD AS NEEDED TO CREATE OR MAINTAIN SMOOTH TRANSITIONS BETWEEN SECTIONS OR AROUND UTILITY STRUCTURES. ROADWAY WIDTHS ARE SHOWN ON THE "TYPICAL ROADWAY SECTIONS" DRAWINGS. INTERSECTIONS WILL REQUIRE ADDITIONAL RECONSTRUCTED AREAS. CONSULT FINAL ALIGNMENTS/DEVIATIONS WITH DISTRICT REPRESENTATIVE.
3. GRADE ROADWAYS TO DRAIN TO THE GREATEST EXTENT POSSIBLE ACCORDING TO THE "TYPICAL ROADWAY SECTIONS" DRAWINGS.
4. SEE "PLAN-UTILITIES" DRAWINGS FOR SITE UTILITIES. UNLESS NOTED OTHERWISE, THE CONTRACTOR SHALL RAISE EXISTING UTILITY STRUCTURES, MANHOLE LIDS, VAULTS, CLEAN OUTS, AND VALVE BOXES TO FINISHED GRADE.
5. CONTRACTOR SHALL SEQUENCE THE WORK SUCH THAT ROAD "N" & ROAD "D" BE COMPLETED FIRST AND SHALL BE FULLY COMPLETE FOR DISTRICT USE PRIOR TO STARTING WORK ON ALL OTHER ROAD SECTIONS.
6. CONSTRUCTION ACTIVITIES ON DLD 1 (NOT IN THIS CONTRACT) WILL BE ACTIVE AT THE SAME TIME AS THIS PROJECT. ALTHOUGH THE MAJORITY OF THE DLD 1 WORK IS IN THE DLD 1 BASIN, COORDINATION WITH THE DLD 1 CONTRACTOR MAY BE REQUIRED.

SHEET KEYNOTES

1. RECONSTRUCT ROADWAY SECTION PER METHOD 1.
 2. RECONSTRUCT ROADWAY SECTION PER METHOD 2.
- METHOD 1:
12" SOIL CEMENT FULL DEPTH RECLAMATION ROADWAY FOOTPRINT THEN PLACE 6" AB PER "TYPICAL SECTIONS".
- METHOD 2:
SCARIFY AND COMPACT EXISTING 8" ROADWAY FOOTPRINT THEN PLACE 6" AB PER "TYPICAL SECTIONS".

MATERIAL SAMPLE & TESTING LEDGED

- APPROXIMATE MIX DESIGN SAMPLE LOCATION PER SPECIFICATION SECTION 32 00 02
- APPROXIMATE QUALITY CONTROL TESTING LOCATION PER SPECIFICATION SECTION 32 00 02



9/17/2025

REVISIONS					
ZONE	REV.	DESCRIPTION	BY	DATE	APP.

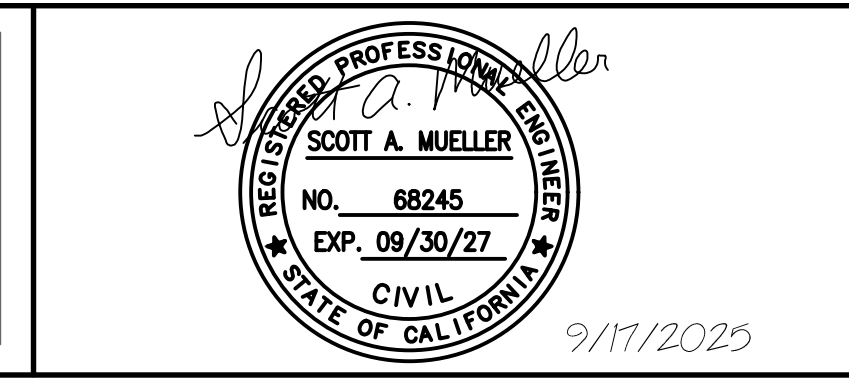
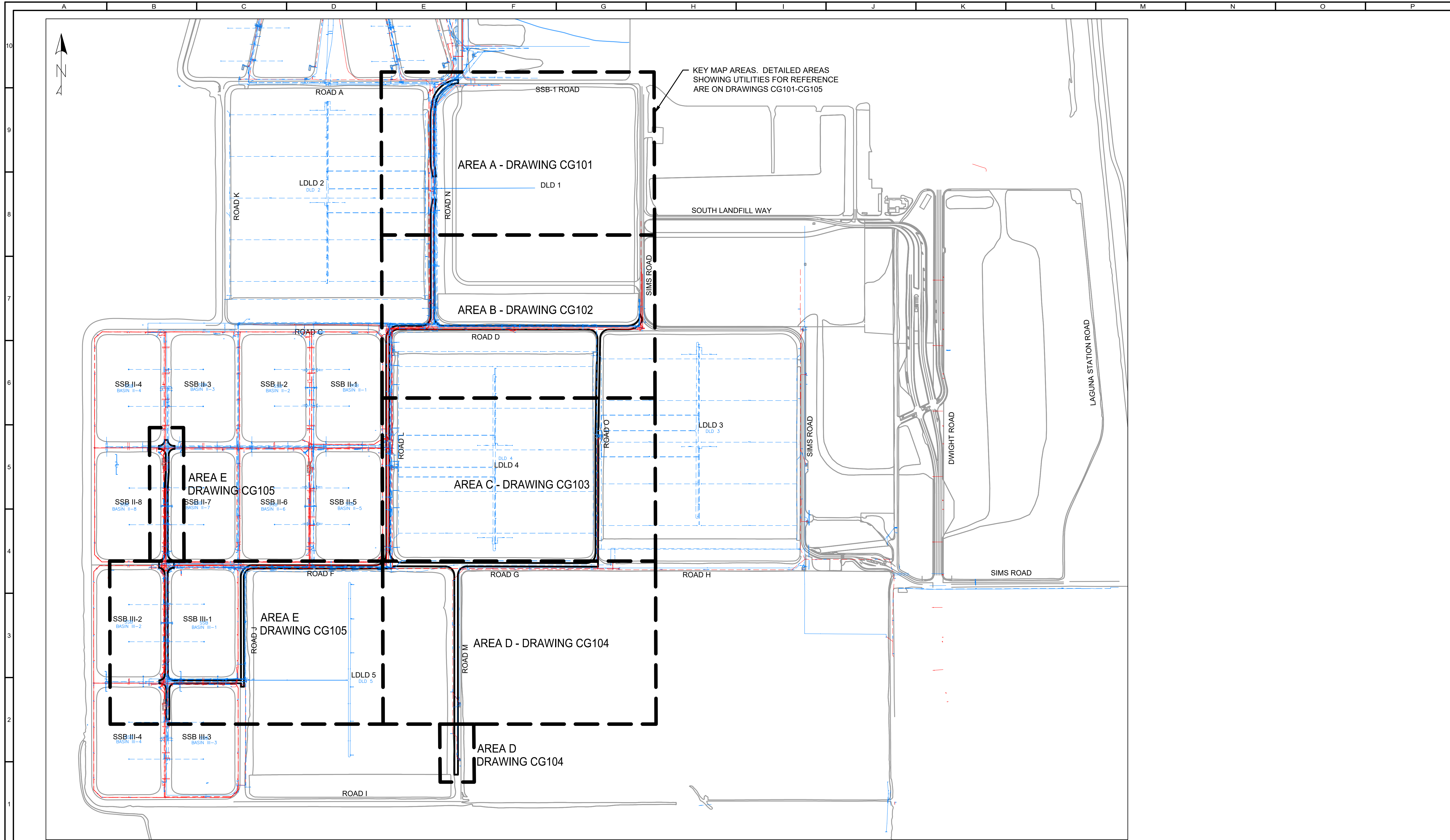
LINE IS 2 INCHES AT FULL SIZE (IF NOT 2" SCALE ACCORDINGLY)
 FILE _____
 DRAWN SM
 DESIGNED SM
 CHECKED DWT

RFB 8517

SACRAMENTO AREA SEWER DISTRICT
 ECHOWATER RESOURCE RECOVERY FACILITY
 LDLD ROAD REHABILITATION PROJECT

CIVIL
 PLAN VIEW

SCALE 1"=300'
 DRAWING NUMBER C-001
 SHEET NUMBER 6 OF 16



REVISIONS					
ZONE	REV.	DESCRIPTION	BY	DATE	APP.

FILE	
DRAWN	SM
DESIGNED	SM
CHECKED	DTW

LINE IS 2 INCHES AT FULL SIZE (IF NOT 2" SCALE ACCORDINGLY)

RFB 8517

SACRAMENTO AREA SEWER DISTRICT

ECHOWATER RESOURCE RECOVERY FACILITY

LDLD ROAD REHABILITATION PROJECT

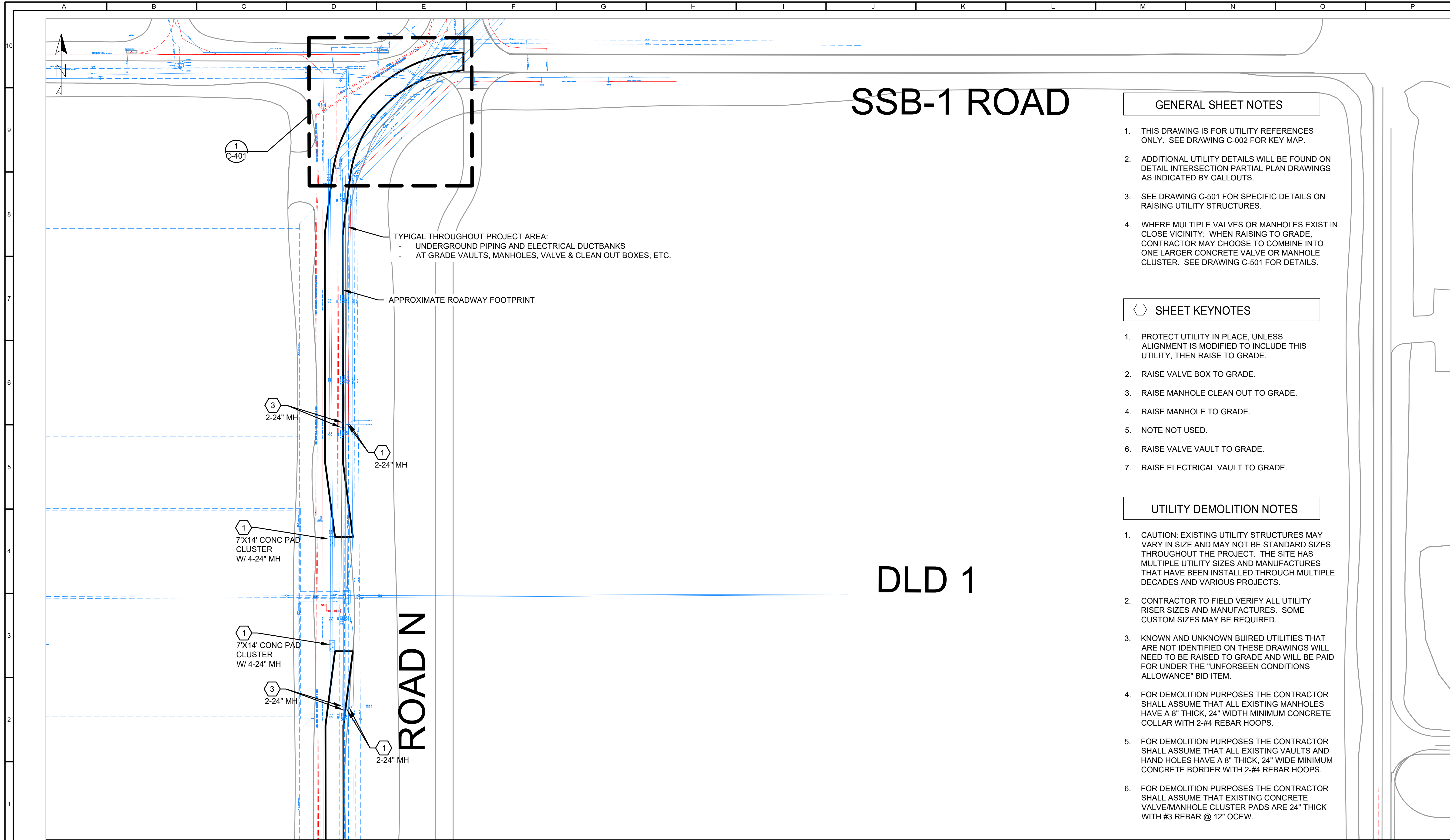
CIVIL

PLAN-UTILITIES VIEW KEY MAP

SCALE 1"=300'

DRAWING NUMBER C-002

SHEET NUMBER 7 OF 16



SSB-1 ROAD

GENERAL SHEET NOTES

1. THIS DRAWING IS FOR UTILITY REFERENCES ONLY. SEE DRAWING C-002 FOR KEY MAP.
2. ADDITIONAL UTILITY DETAILS WILL BE FOUND ON DETAIL INTERSECTION PARTIAL PLAN DRAWINGS AS INDICATED BY CALLOUTS.
3. SEE DRAWING C-501 FOR SPECIFIC DETAILS ON RAISING UTILITY STRUCTURES.
4. WHERE MULTIPLE VALVES OR MANHOLES EXIST IN CLOSE VICINITY: WHEN RAISING TO GRADE, CONTRACTOR MAY CHOOSE TO COMBINE INTO ONE LARGER CONCRETE VALVE OR MANHOLE CLUSTER. SEE DRAWING C-501 FOR DETAILS.

SHEET KEYNOTES

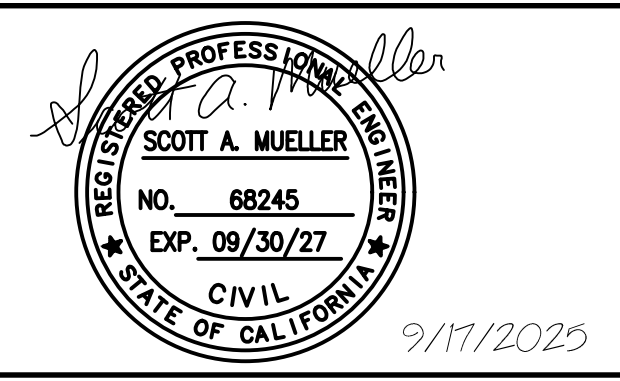
1. PROTECT UTILITY IN PLACE, UNLESS ALIGNMENT IS MODIFIED TO INCLUDE THIS UTILITY, THEN RAISE TO GRADE.
2. RAISE VALVE BOX TO GRADE.
3. RAISE MANHOLE CLEAN OUT TO GRADE.
4. RAISE MANHOLE TO GRADE.
5. NOTE NOT USED.
6. RAISE VALVE VAULT TO GRADE.
7. RAISE ELECTRICAL VAULT TO GRADE.

UTILITY DEMOLITION NOTES

1. CAUTION: EXISTING UTILITY STRUCTURES MAY VARY IN SIZE AND MAY NOT BE STANDARD SIZES THROUGHOUT THE PROJECT. THE SITE HAS MULTIPLE UTILITY SIZES AND MANUFACTURES THAT HAVE BEEN INSTALLED THROUGH MULTIPLE DECADES AND VARIOUS PROJECTS.
2. CONTRACTOR TO FIELD VERIFY ALL UTILITY RISER SIZES AND MANUFACTURES. SOME CUSTOM SIZES MAY BE REQUIRED.
3. KNOWN AND UNKNOWN BUIED UTILITIES THAT ARE NOT IDENTIFIED ON THESE DRAWINGS WILL NEED TO BE RAISED TO GRADE AND WILL BE PAID FOR UNDER THE "UNFORSEEN CONDITIONS ALLOWANCE" BID ITEM.
4. FOR DEMOLITION PURPOSES THE CONTRACTOR SHALL ASSUME THAT ALL EXISTING MANHOLES HAVE A 8" THICK, 24" WIDTH MINIMUM CONCRETE COLLAR WITH 2-#4 REBAR HOOPS.
5. FOR DEMOLITION PURPOSES THE CONTRACTOR SHALL ASSUME THAT ALL EXISTING VAULTS AND HAND HOLES HAVE A 8" THICK, 24" WIDE MINIMUM CONCRETE BORDER WITH 2-#4 REBAR HOOPS.
6. FOR DEMOLITION PURPOSES THE CONTRACTOR SHALL ASSUME THAT EXISTING CONCRETE VALVE/MANHOLE CLUSTER PADS ARE 24" THICK WITH #3 REBAR @ 12" OCEW.

DLD 1

ROAD N



REVISIONS					
ZONE	REV.	DESCRIPTION	BY	DATE	APP.

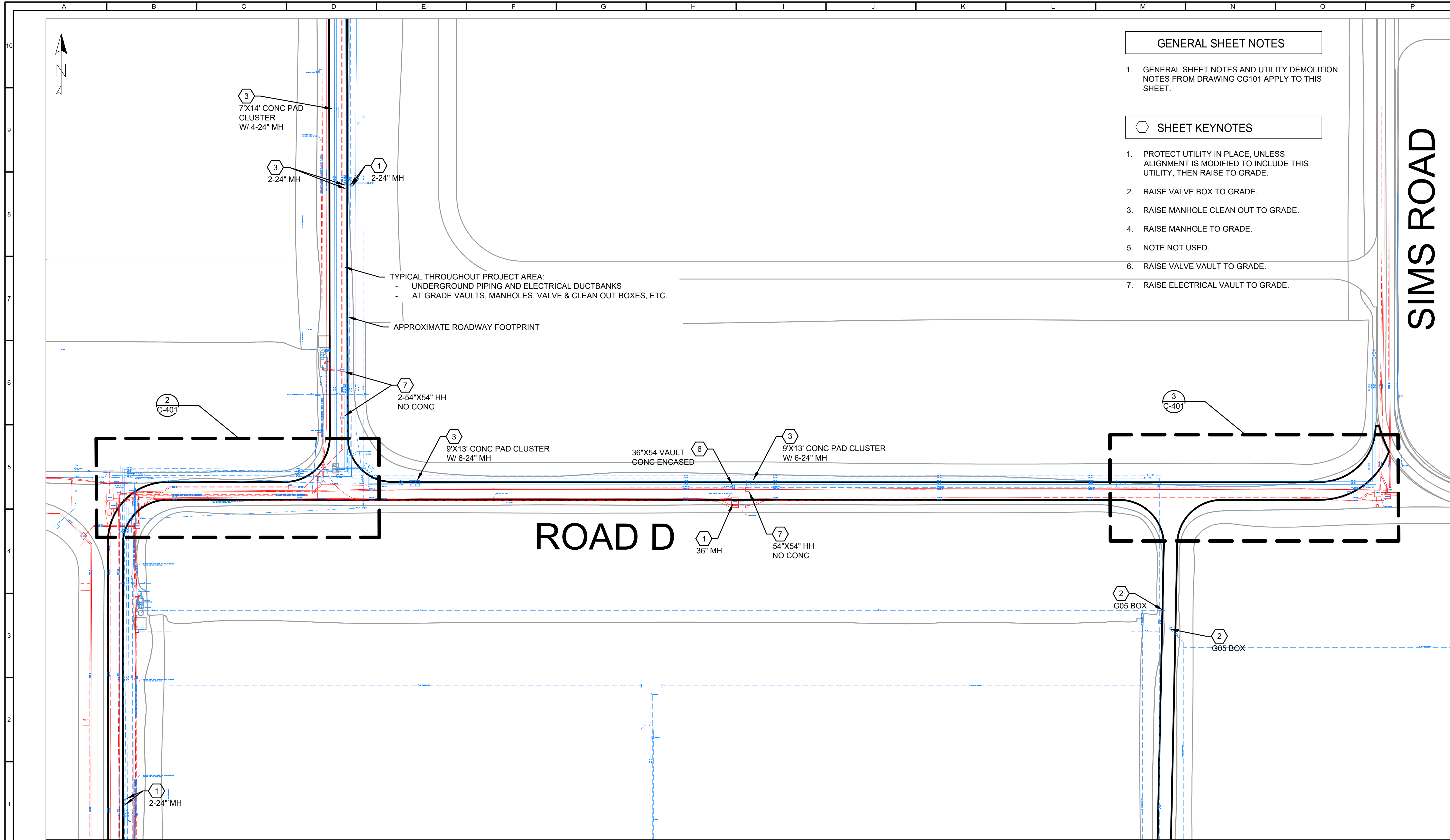
FILE	
DRAWN	SM
DESIGNED	SM
CHECKED	DTW

RFB 8517

SACRAMENTO AREA SEWER DISTRICT
ECHOWATER RESOURCE RECOVERY FACILITY
LDLD ROAD REHABILITATION PROJECT

CIVIL
PLAN-UTILITIES AREA A

SCALE
1"=60'
DRAWING NUMBER
CG101
SHEET NUMBER
8 OF 16



GENERAL SHEET NOTES

1. GENERAL SHEET NOTES AND UTILITY DEMOLITION NOTES FROM DRAWING CG101 APPLY TO THIS SHEET.
-
- SHEET KEYNOTES**
1. PROTECT UTILITY IN PLACE, UNLESS ALIGNMENT IS MODIFIED TO INCLUDE THIS UTILITY, THEN RAISE TO GRADE.
 2. RAISE VALVE BOX TO GRADE.
 3. RAISE MANHOLE CLEAN OUT TO GRADE.
 4. RAISE MANHOLE TO GRADE.
 5. NOTE NOT USED.
 6. RAISE VALVE VAULT TO GRADE.
 7. RAISE ELECTRICAL VAULT TO GRADE.

SIMS ROAD

ROAD D



9/17/2025

REVISIONS					
ZONE	REV.	DESCRIPTION	BY	DATE	APP.

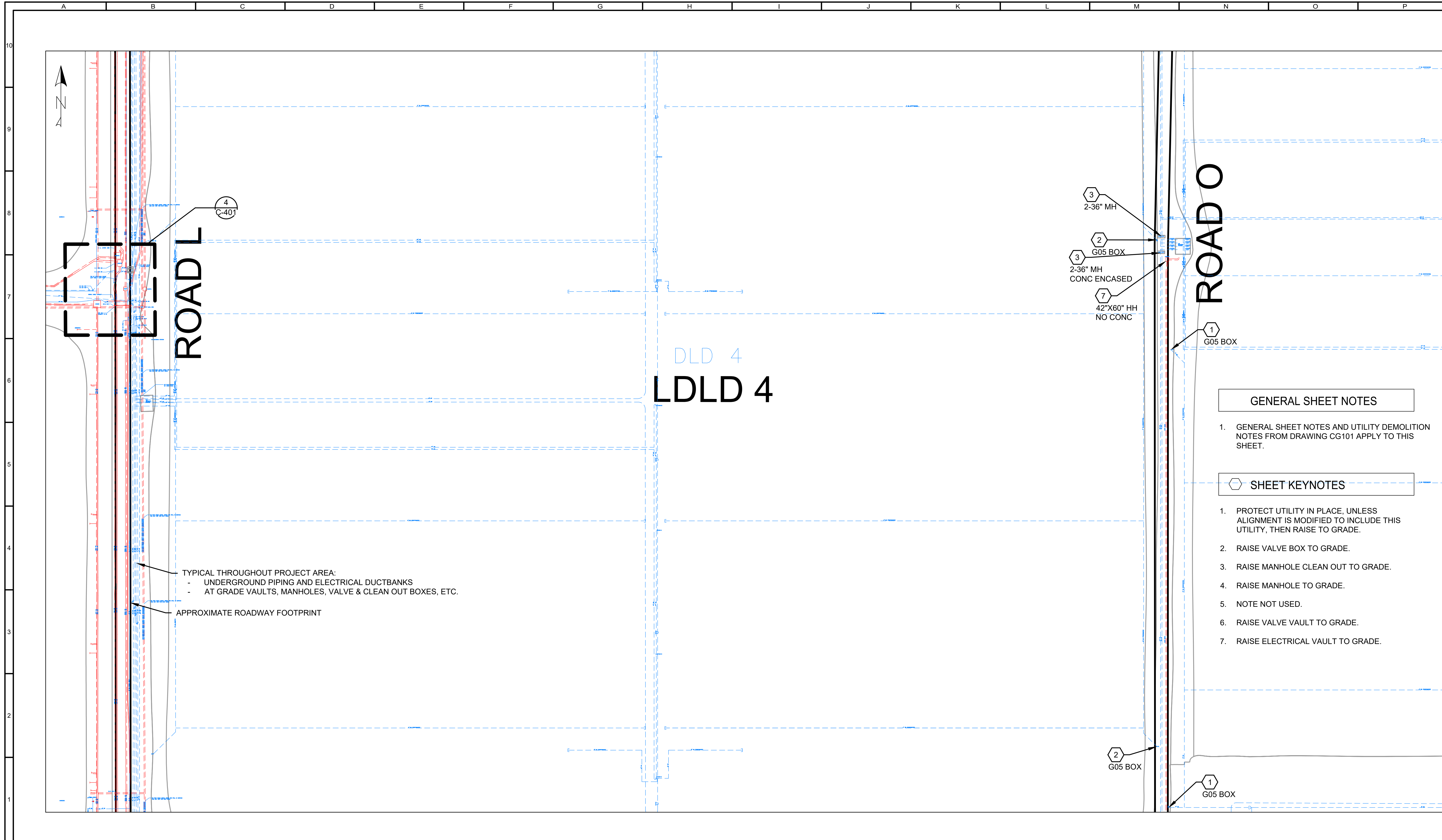
LINE IS 2 INCHES AT FULL SIZE (IF NOT 2" SCALE ACCORDINGLY)
 FILE _____
 DRAWN SM
 DESIGNED SM
 CHECKED DTW

RFB 8517

SACRAMENTO AREA SEWER DISTRICT
 ECHOWATER RESOURCE RECOVERY FACILITY
 LDLD ROAD REHABILITATION PROJECT

CIVIL
 PLAN-UTILITIES AREA B

SCALE 1"=60'
 DRAWING NUMBER CG102
 SHEET NUMBER 9 OF 16

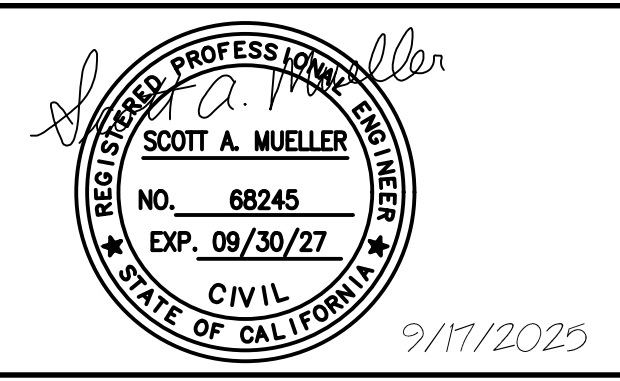


GENERAL SHEET NOTES

1. GENERAL SHEET NOTES AND UTILITY DEMOLITION NOTES FROM DRAWING CG101 APPLY TO THIS SHEET.

SHEET KEYNOTES

1. PROTECT UTILITY IN PLACE, UNLESS ALIGNMENT IS MODIFIED TO INCLUDE THIS UTILITY, THEN RAISE TO GRADE.
2. RAISE VALVE BOX TO GRADE.
3. RAISE MANHOLE CLEAN OUT TO GRADE.
4. RAISE MANHOLE TO GRADE.
5. NOTE NOT USED.
6. RAISE VALVE VAULT TO GRADE.
7. RAISE ELECTRICAL VAULT TO GRADE.



REVISIONS				
ZONE	REV.	DESCRIPTION	BY	DATE

FILE	
DRAWN	SM
DESIGNED	SM
CHECKED	DTW

RFB 8517

SACRAMENTO AREA
SEWER DISTRICT

ECHOWATER RESOURCE
RECOVERY FACILITY
LDLD ROAD
REHABILITATION PROJECT

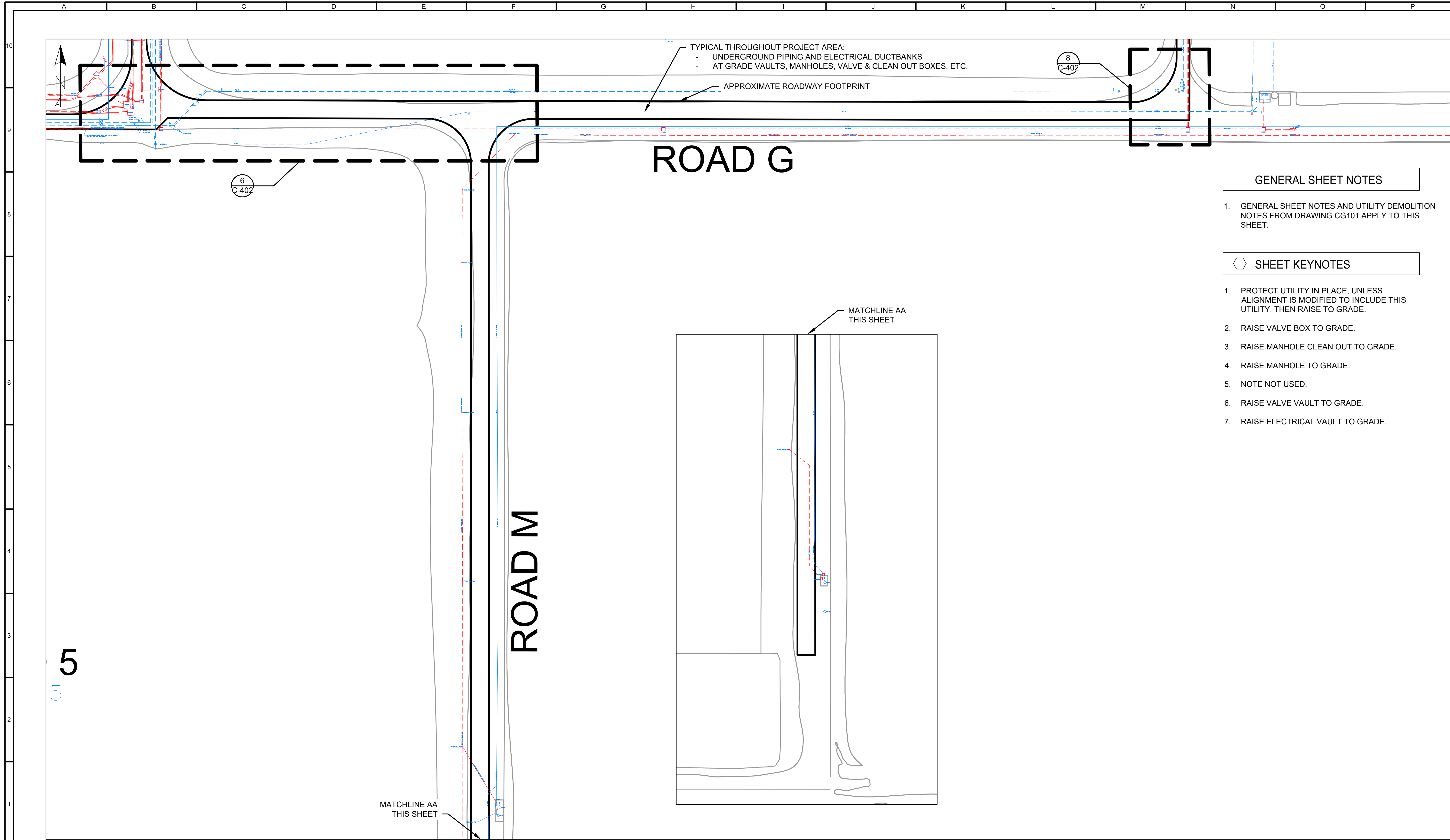
CIVIL

PLAN-UTILITIES
AREA C

SCALE
1"=60'

DRAWING NUMBER
CG103

SHEET NUMBER
10 OF 16

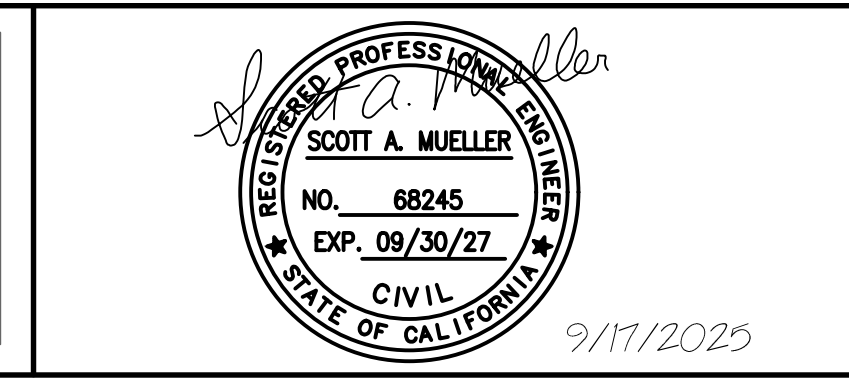


GENERAL SHEET NOTES

1. GENERAL SHEET NOTES AND UTILITY DEMOLITION NOTES FROM DRAWING CG101 APPLY TO THIS SHEET.

SHEET KEYNOTES

1. PROTECT UTILITY IN PLACE, UNLESS ALIGNMENT IS MODIFIED TO INCLUDE THIS UTILITY, THEN RAISE TO GRADE.
2. RAISE VALVE BOX TO GRADE.
3. RAISE MANHOLE CLEAN OUT TO GRADE.
4. RAISE MANHOLE TO GRADE.
5. NOTE NOT USED.
6. RAISE VALVE VAULT TO GRADE.
7. RAISE ELECTRICAL VAULT TO GRADE.



REVISIONS					
ZONE	REV.	DESCRIPTION	BY	DATE	APP.

FILE _____
DRAWN SM _____
DESIGNED SM _____
CHECKED DTW _____

LINE IS 2 INCHES AT FULL SIZE (IF NOT 2"-SCALE ACCORDINGLY)

RFB 8517

SACRAMENTO AREA SEWER DISTRICT

ECHOWATER RESOURCE RECOVERY FACILITY

LDLD ROAD REHABILITATION PROJECT

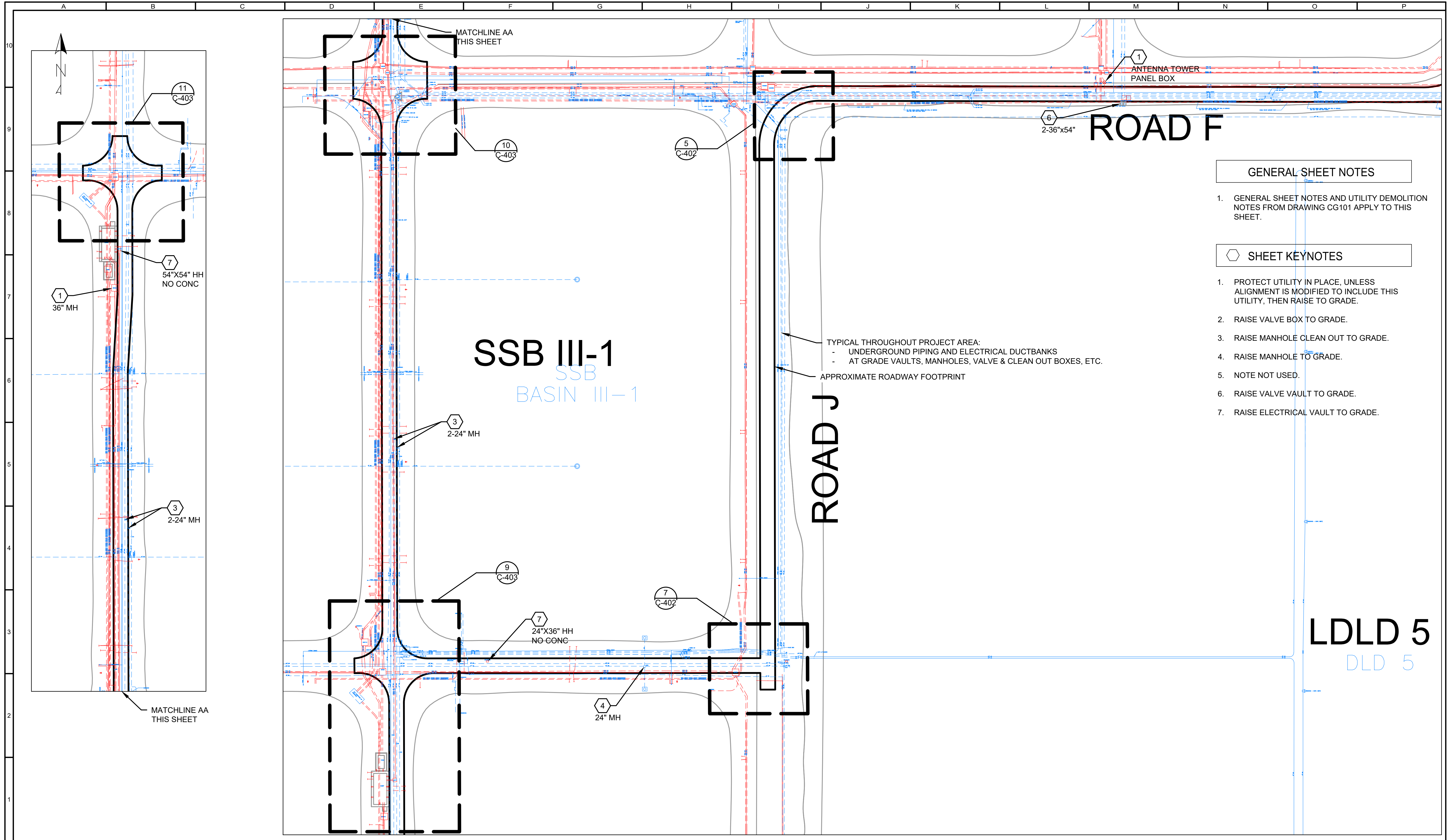
CIVIL

PLAN-UTILITIES AREA D

SCALE 1"=60'

DRAWING NUMBER CG104

SHEET NUMBER 11 OF 16



GENERAL SHEET NOTES

1. GENERAL SHEET NOTES AND UTILITY DEMOLITION NOTES FROM DRAWING CG101 APPLY TO THIS SHEET.

SHEET KEYNOTES

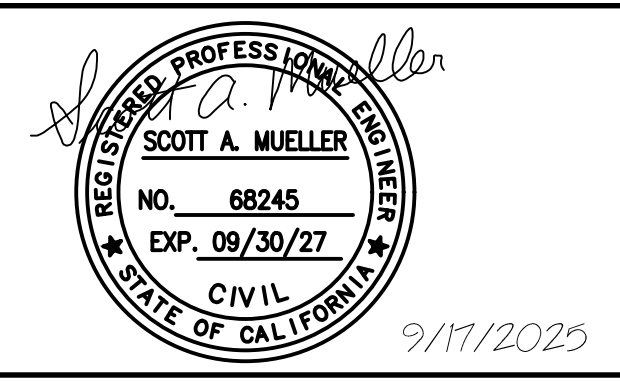
1. PROTECT UTILITY IN PLACE, UNLESS ALIGNMENT IS MODIFIED TO INCLUDE THIS UTILITY, THEN RAISE TO GRADE.
2. RAISE VALVE BOX TO GRADE.
3. RAISE MANHOLE CLEAN OUT TO GRADE.
4. RAISE MANHOLE TO GRADE.
5. NOTE NOT USED.
6. RAISE VALVE VAULT TO GRADE.
7. RAISE ELECTRICAL VAULT TO GRADE.

TYPICAL THROUGHOUT PROJECT AREA:
 - UNDERGROUND PIPING AND ELECTRICAL DUCTBANKS
 - AT GRADE VAULTS, MANHOLES, VALVE & CLEAN OUT BOXES, ETC.

APPROXIMATE ROADWAY FOOTPRINT

SSB III-1
 SSB
 BASIN III-1

LDLD 5
 DLD 5



REVISIONS				
ZONE	REV.	DESCRIPTION	BY	DATE

FILE	
DRAWN	SM
DESIGNED	SM
CHECKED	DTW

LINE IS 2 INCHES AT FULL SIZE (IF NOT 2" SCALE ACCORDINGLY)

RFB 8517

SACRAMENTO AREA SEWER DISTRICT

ECHOWATER RESOURCE RECOVERY FACILITY
 LDLD ROAD REHABILITATION PROJECT

CIVIL

PLAN-UTILITIES AREA E

SCALE 1"=60'

DRAWING NUMBER CG105

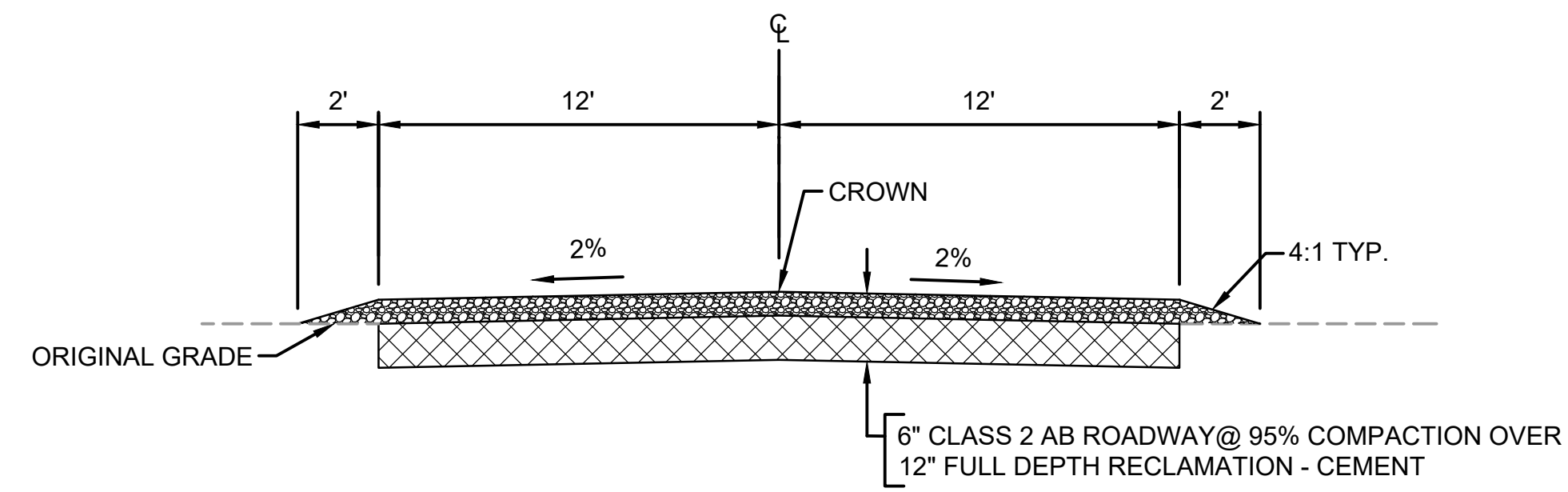
SHEET NUMBER 12 OF 16

GENERAL SHEET NOTES

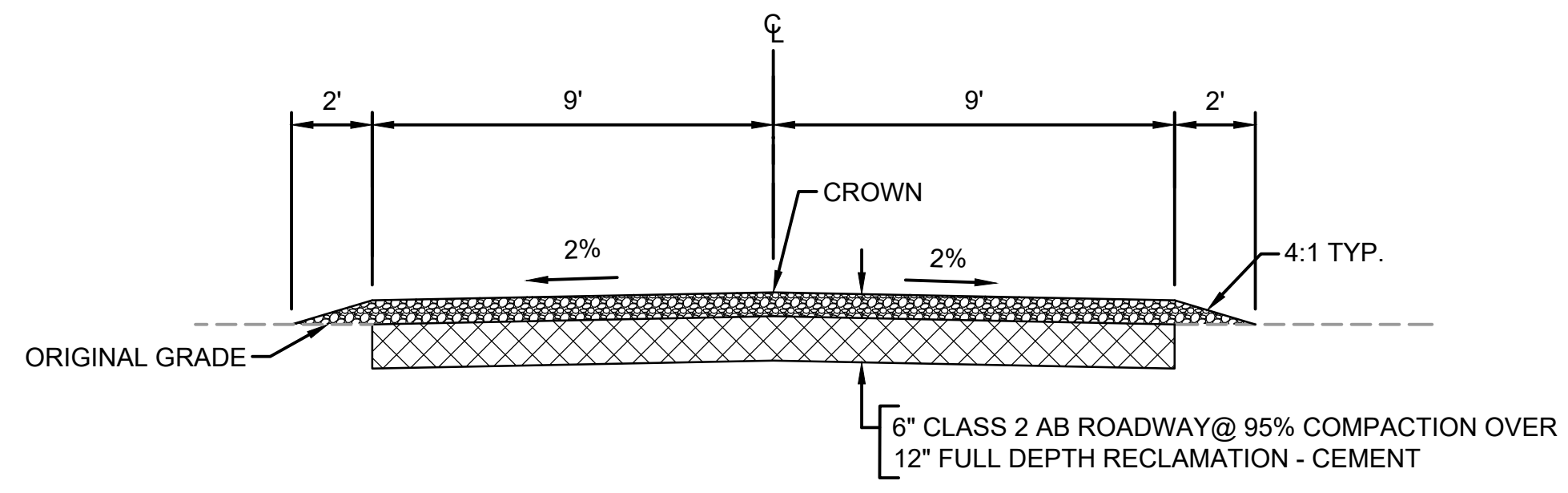
- SEE SPECIFICATION SECTION 32 00 01 FOR FULL DEPTH RECLAMATION - CEMENT REQUIREMENTS.
- AGGREGATE BASE PER SACRAMENTO COUNTY STANDARD CONSTRUCTION SPECIFICATIONS.

SHEET KEYNOTES

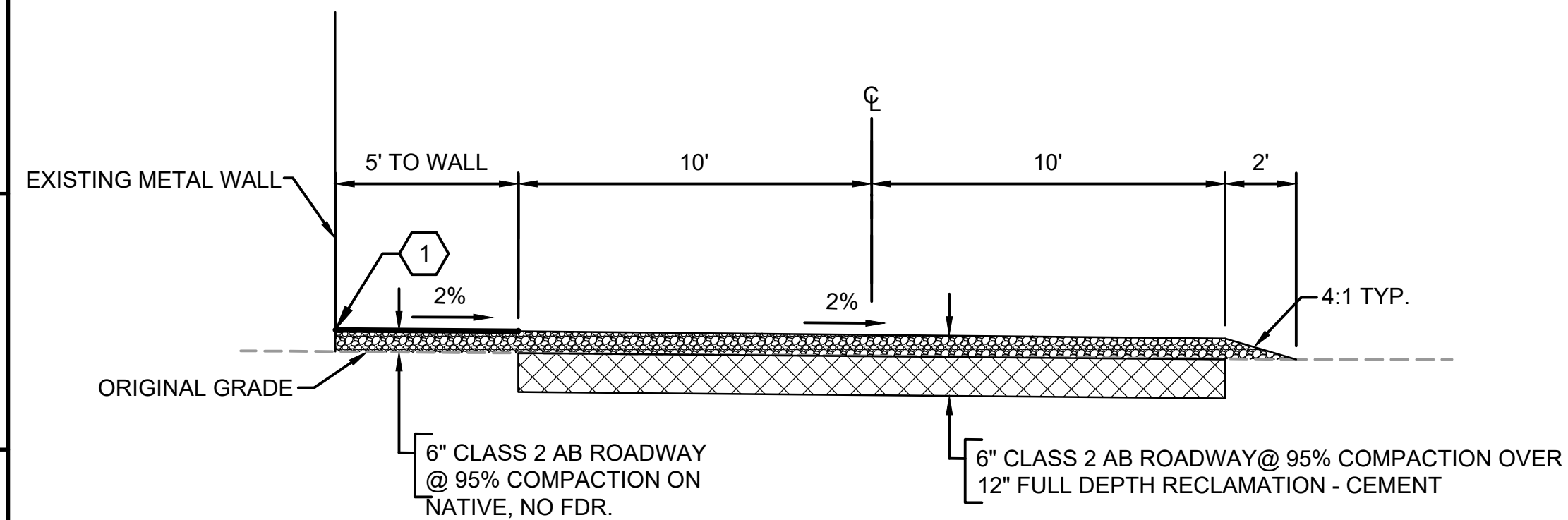
- PROTECT EXISTING METAL WALL IN PLACE WHILE PLACING AND COMPACTING ADJACENT AB MATERIAL. 95% COMPACTION REQUIREMENT WILL BE WAIVED WITHIN 16" OF METAL WALL. USE ONLY LIGHT COMPACTION EQUIPMENT WITHIN 16" OF METAL WALL.



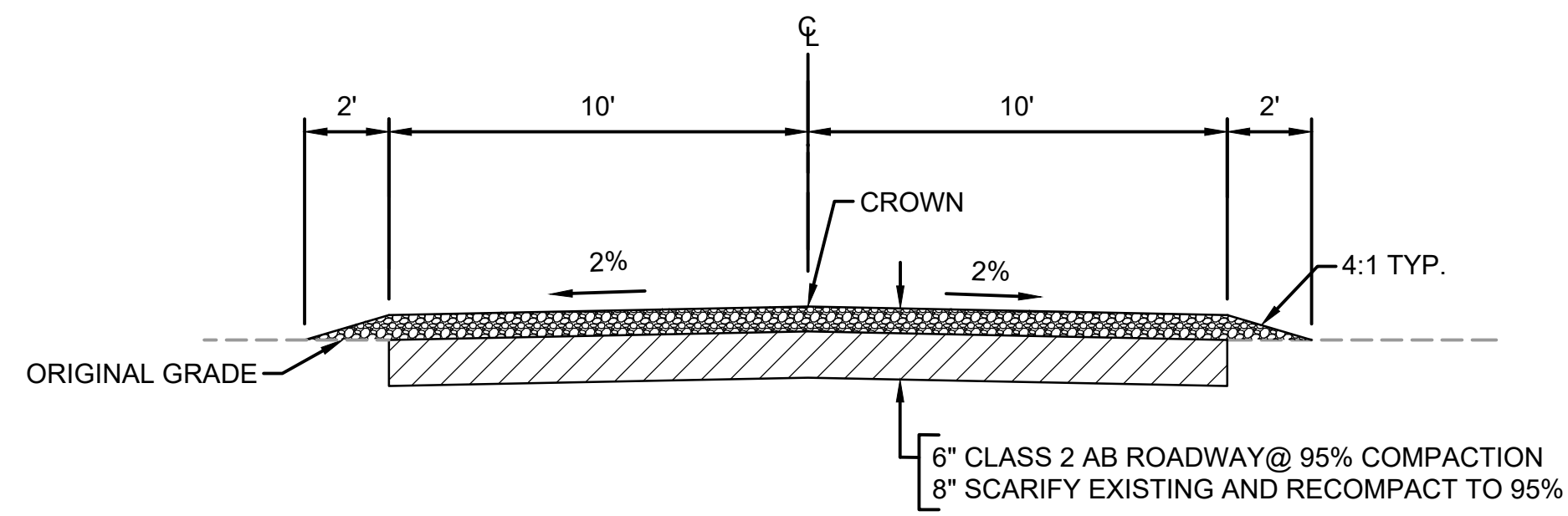
TYPICAL SECTION 1
NOT TO SCALE
ROADS D, G, M, N



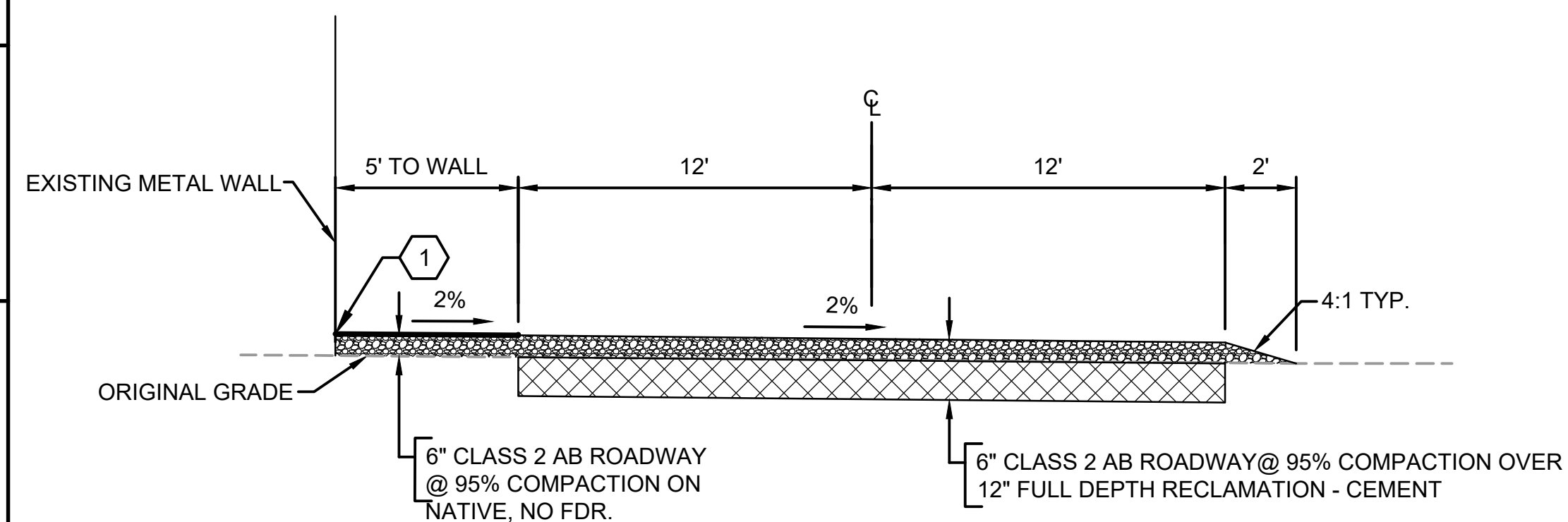
TYPICAL SECTION 4
NOT TO SCALE
ROADS O



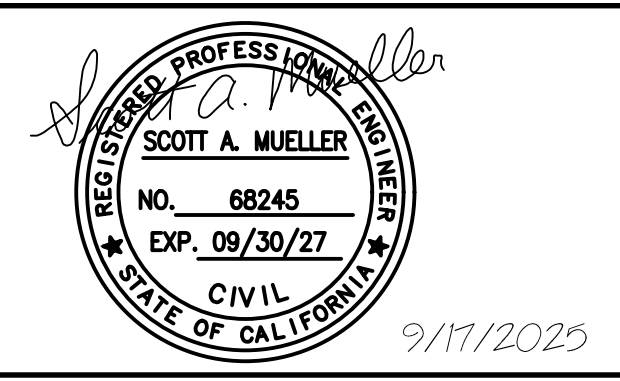
TYPICAL SECTION 2
NOT TO SCALE
ROADS F, J



TYPICAL SECTION 5
NOT TO SCALE
SSB ROADS



TYPICAL SECTION 3
NOT TO SCALE
ROADS L



REVISIONS				
ZONE	REV.	DESCRIPTION	BY	DATE

FILE	
DRAWN	SM
DESIGNED	SM
CHECKED	DTW

LINE IS 2 INCHES AT FULL SIZE (IF NOT 2" SCALE ACCORDINGLY)

RFB 8517

SACRAMENTO AREA SEWER DISTRICT

ECHOWATER RESOURCE RECOVERY FACILITY

LDLD ROAD REHABILITATION PROJECT

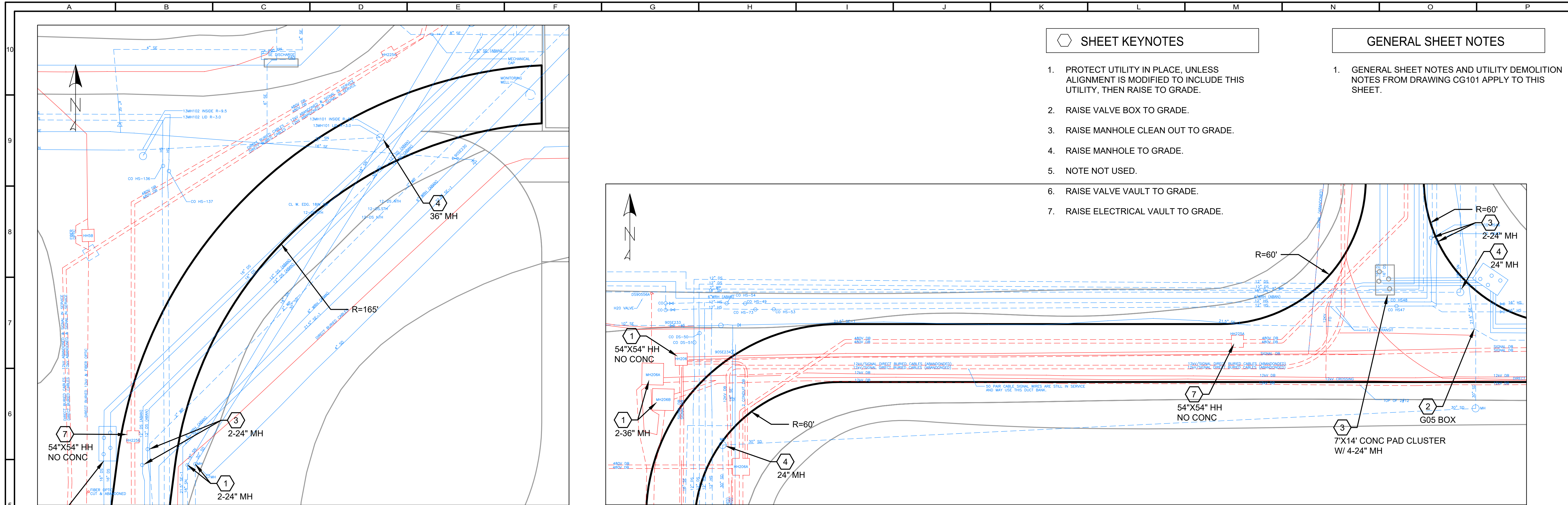
CIVIL

TYPICAL ROADWAY SECTIONS

SCALE
NO SCALE

DRAWING NUMBER
C-301

SHEET NUMBER
13 OF 16

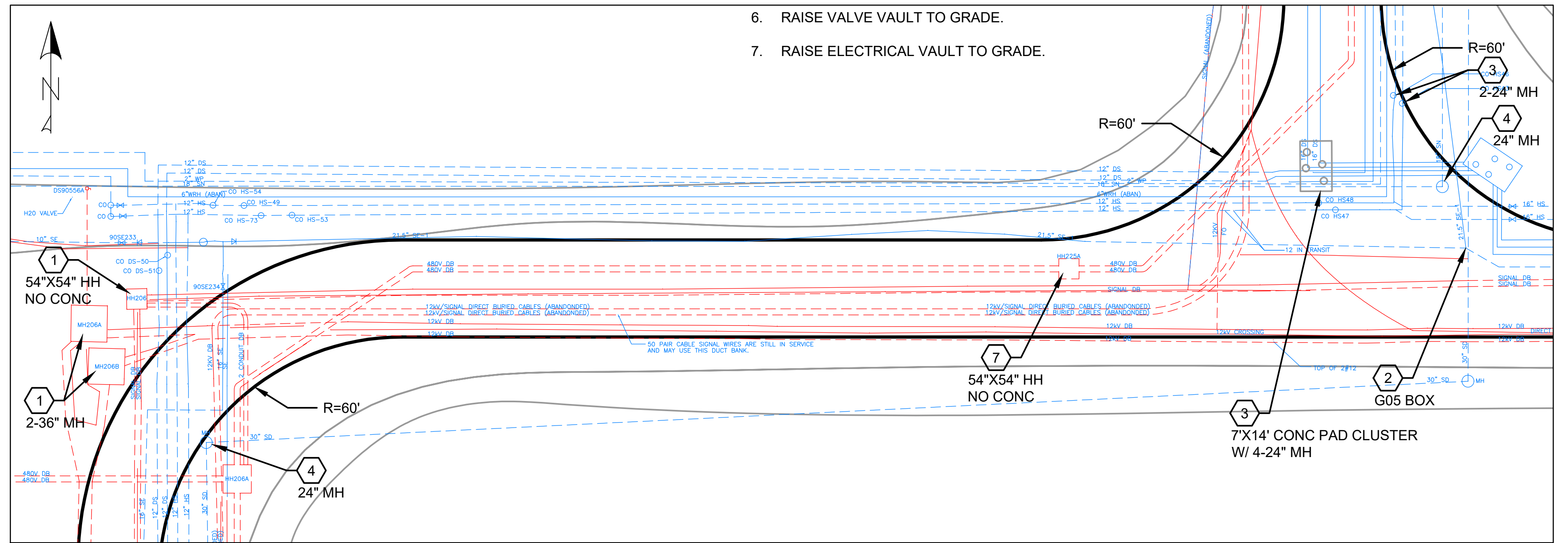


SHEET KEYNOTES

1. PROTECT UTILITY IN PLACE, UNLESS ALIGNMENT IS MODIFIED TO INCLUDE THIS UTILITY, THEN RAISE TO GRADE.
2. RAISE VALVE BOX TO GRADE.
3. RAISE MANHOLE CLEAN OUT TO GRADE.
4. RAISE MANHOLE TO GRADE.
5. NOTE NOT USED.
6. RAISE VALVE VAULT TO GRADE.
7. RAISE ELECTRICAL VAULT TO GRADE.

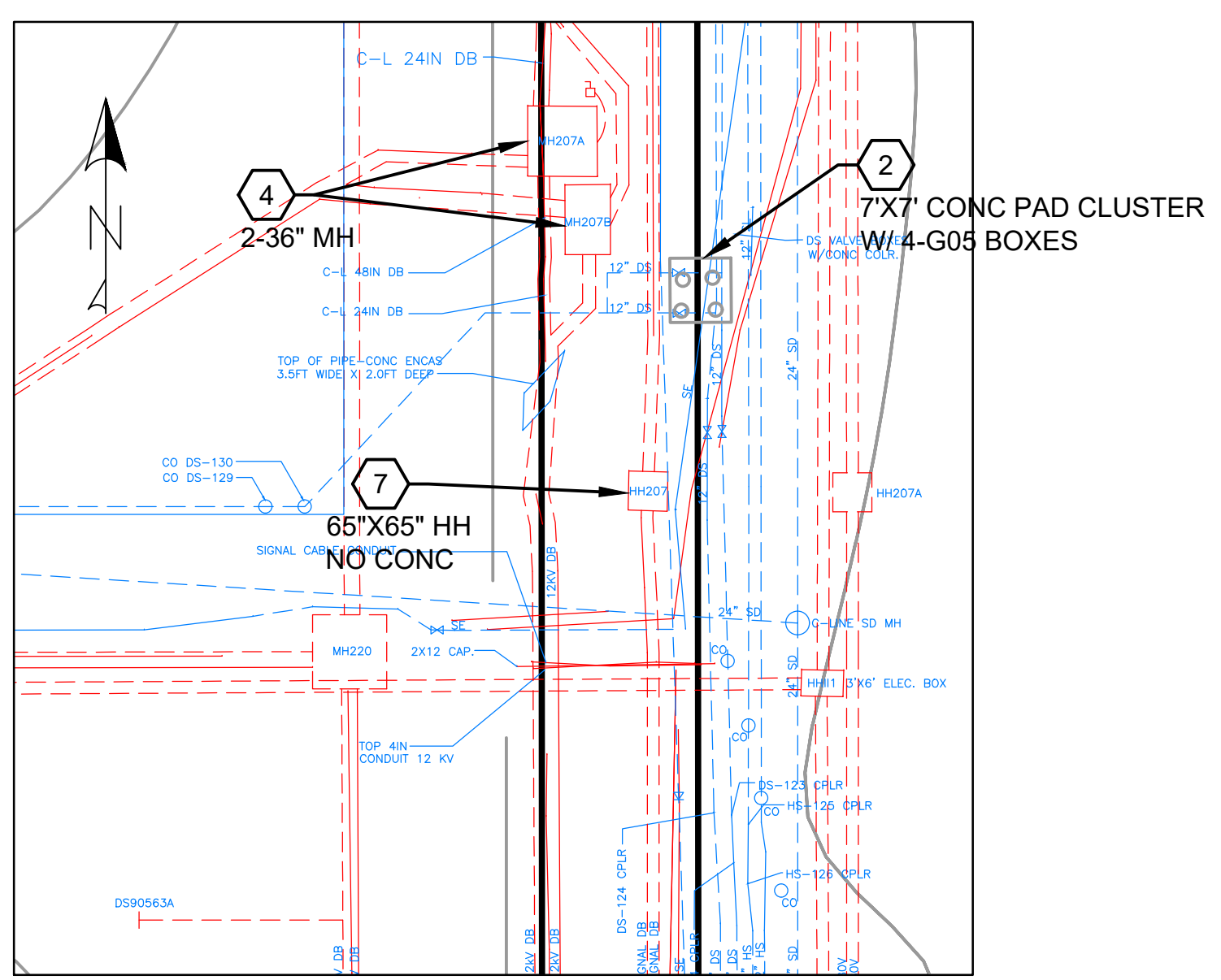
GENERAL SHEET NOTES

1. GENERAL SHEET NOTES AND UTILITY DEMOLITION NOTES FROM DRAWING CG101 APPLY TO THIS SHEET.

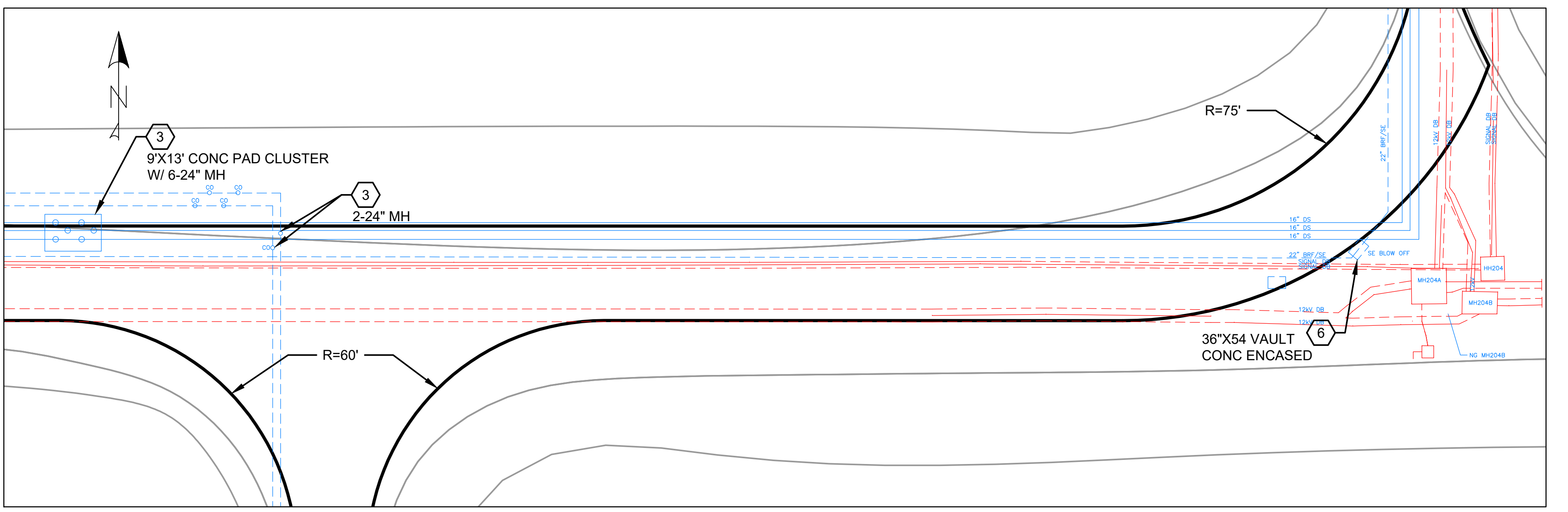


2 DETAIL AREA 2
SCALE 1"=20'

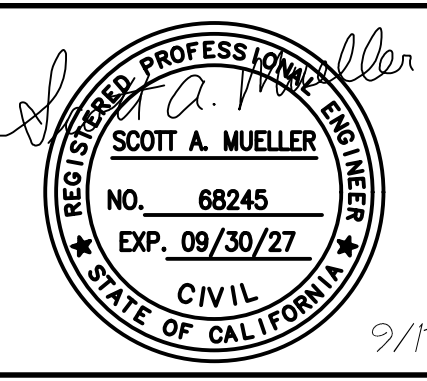
1 DETAIL AREA 1
SCALE 1"=20'



4 DETAIL AREA 4
SCALE 1"=20'



3 DETAIL AREA 3
SCALE 1"=20'



REVISIONS				
ZONE	REV.	DESCRIPTION	BY	DATE

FILE	
DRAWN	SM
DESIGNED	SM
CHECKED	DTW

LINE IS 2 INCHES AT FULL SIZE (IF NOT 2" SCALE ACCORDINGLY)

RFB 8517

SACRAMENTO AREA SEWER DISTRICT

ECHOWATER RESOURCE RECOVERY FACILITY

LDLD ROAD REHABILITATION PROJECT

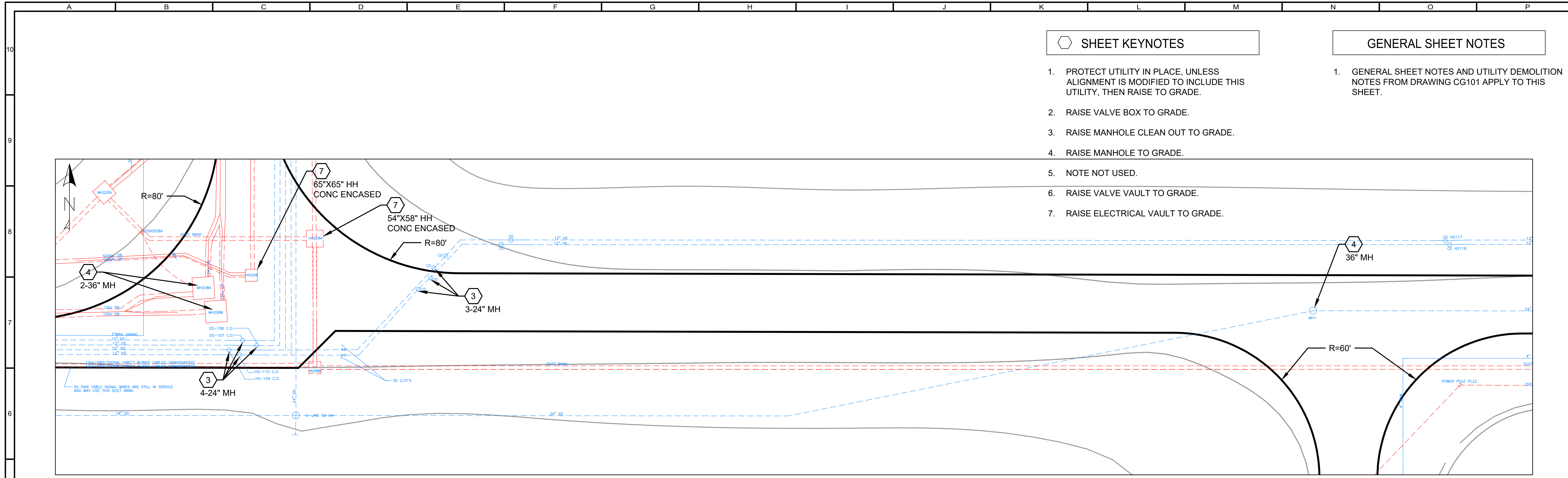
CIVIL

INTERSECTION PARTIAL PLAN 1

SCALE AS SHOWN

DRAWING NUMBER C-401

SHEET NUMBER 14 OF 16



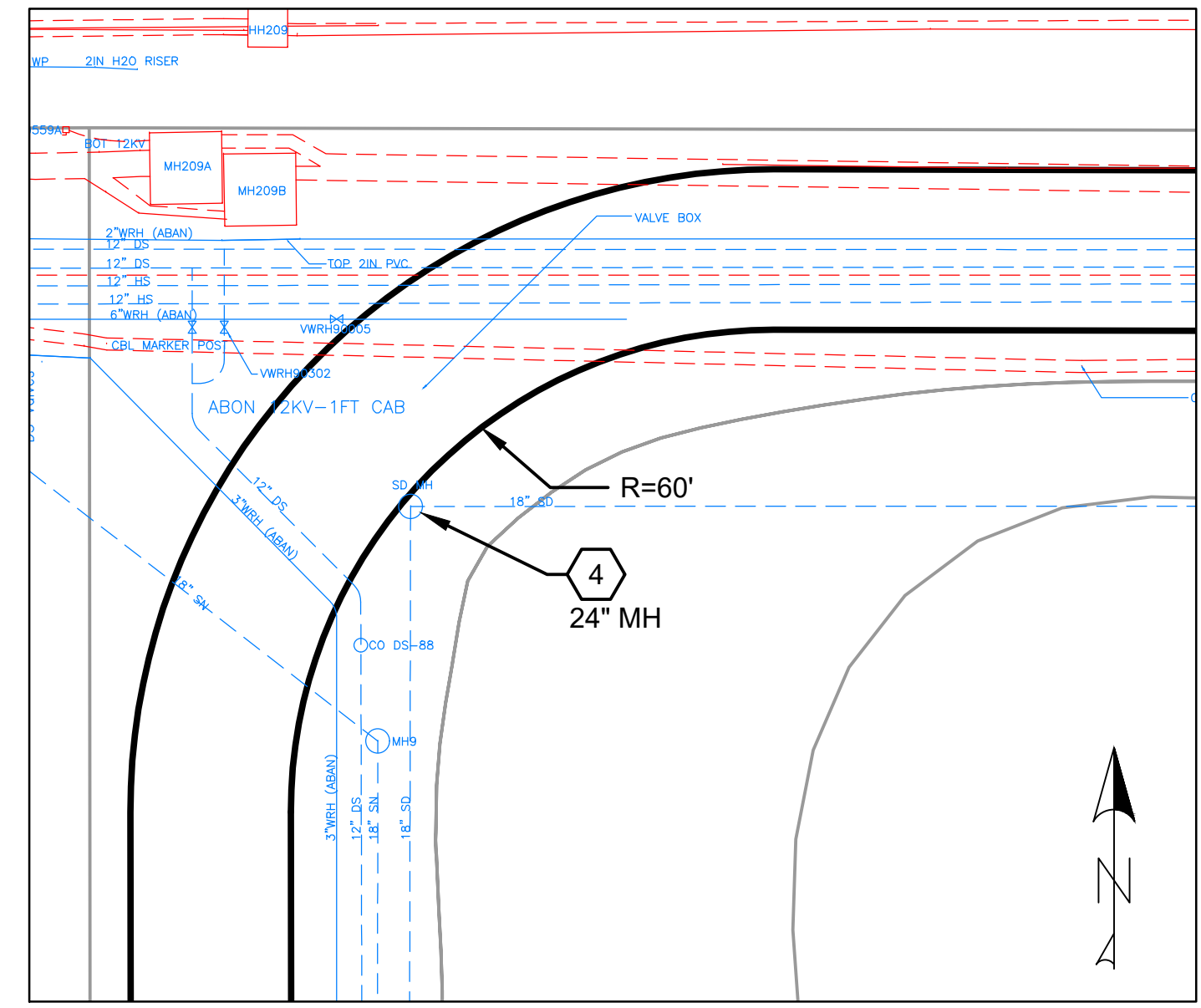
SHEET KEYNOTES

1. PROTECT UTILITY IN PLACE, UNLESS ALIGNMENT IS MODIFIED TO INCLUDE THIS UTILITY, THEN RAISE TO GRADE.
2. RAISE VALVE BOX TO GRADE.
3. RAISE MANHOLE CLEAN OUT TO GRADE.
4. RAISE MANHOLE TO GRADE.
5. NOTE NOT USED.
6. RAISE VALVE VAULT TO GRADE.
7. RAISE ELECTRICAL VAULT TO GRADE.

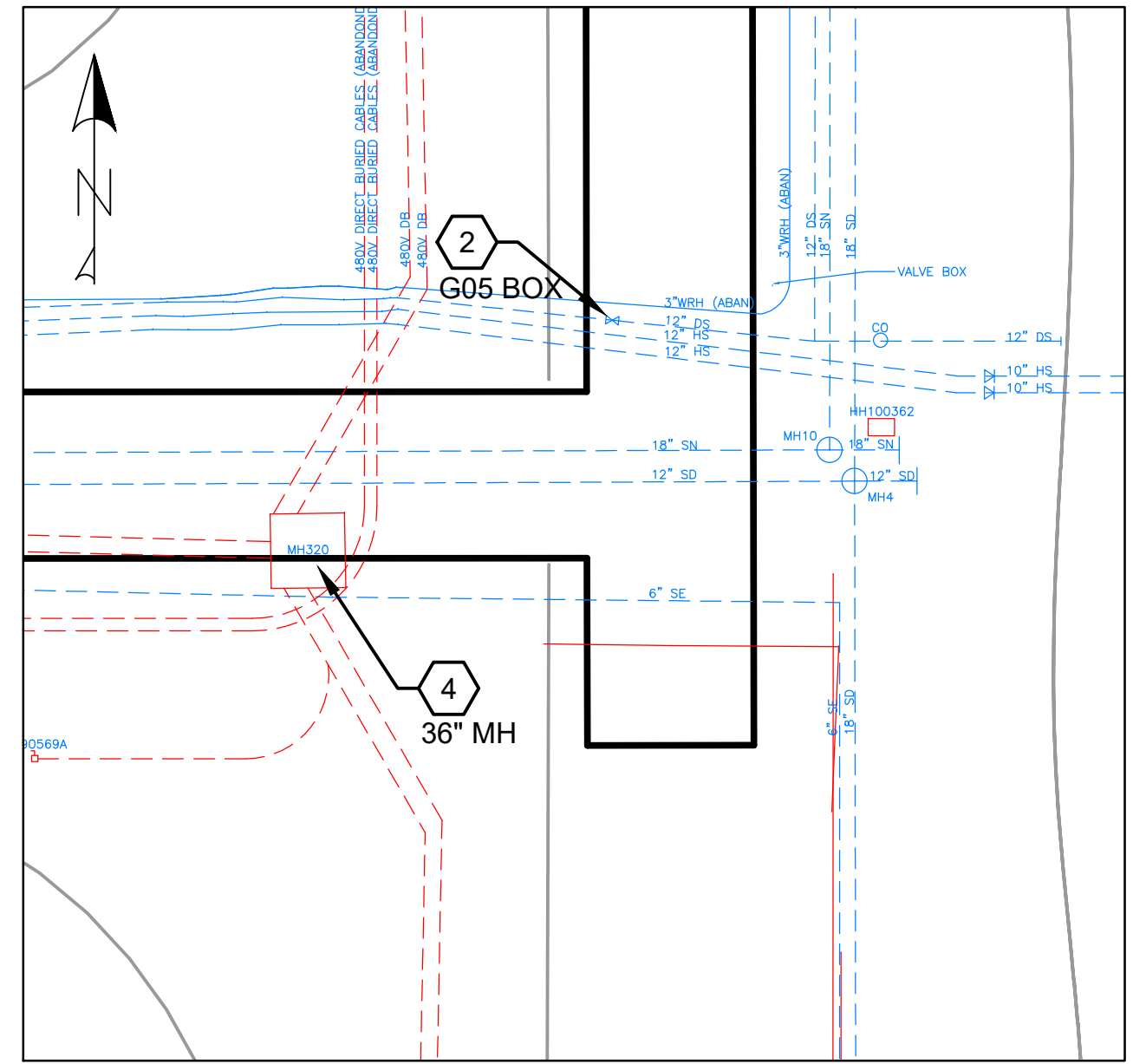
GENERAL SHEET NOTES

1. GENERAL SHEET NOTES AND UTILITY DEMOLITION NOTES FROM DRAWING CG101 APPLY TO THIS SHEET.

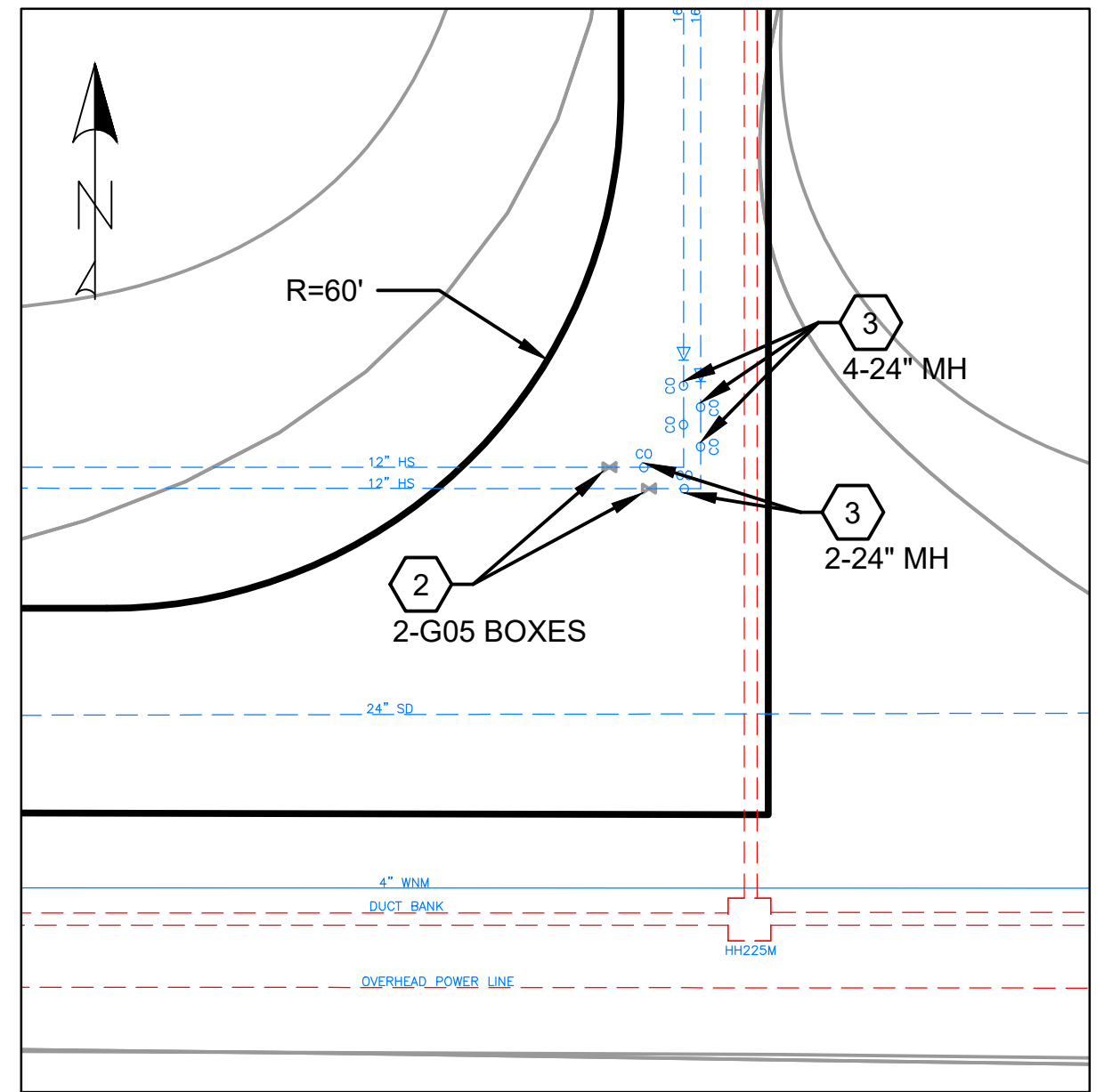
6
CG104 **DETAIL AREA 6**
SCALE 1"=20'



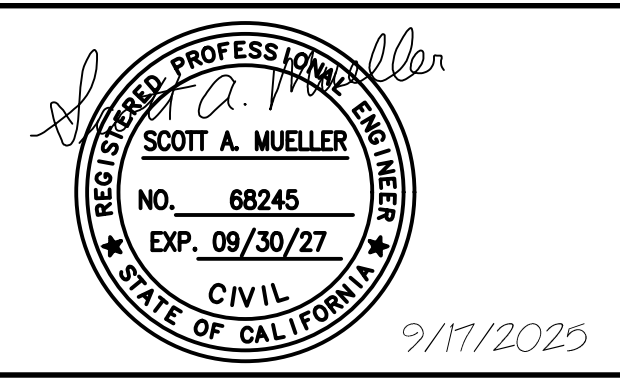
5
CG105 **DETAIL AREA 5**
SCALE 1"=20'



7
CG105 **DETAIL AREA 7**
SCALE 1"=20'



8
CG104 **DETAIL AREA 8**
SCALE 1"=20'



REVISIONS					
ZONE	REV.	DESCRIPTION	BY	DATE	APP.

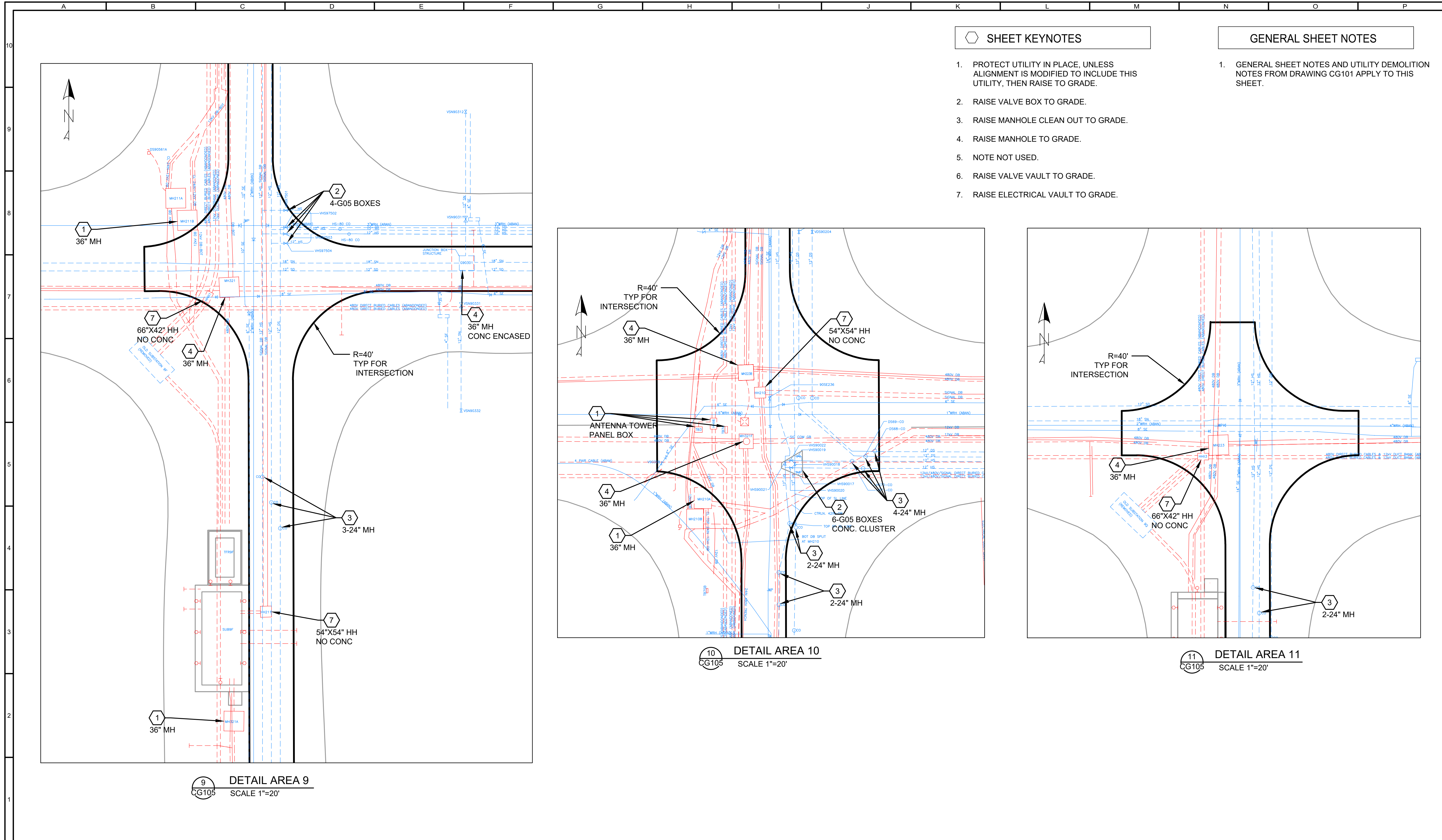
FILE	
DRAWN	SM
DESIGNED	SM
CHECKED	DTW

RFB 8517

SACRAMENTO AREA SEWER DISTRICT
ECHOWATER RESOURCE RECOVERY FACILITY
LDLD ROAD REHABILITATION PROJECT

CIVIL
INTERSECTION PARTIAL PLAN 2

SCALE AS SHOWN
DRAWING NUMBER C-402
SHEET NUMBER 15 OF 16



SHEET KEYNOTES

1. PROTECT UTILITY IN PLACE, UNLESS ALIGNMENT IS MODIFIED TO INCLUDE THIS UTILITY, THEN RAISE TO GRADE.
2. RAISE VALVE BOX TO GRADE.
3. RAISE MANHOLE CLEAN OUT TO GRADE.
4. RAISE MANHOLE TO GRADE.
5. NOTE NOT USED.
6. RAISE VALVE VAULT TO GRADE.
7. RAISE ELECTRICAL VAULT TO GRADE.

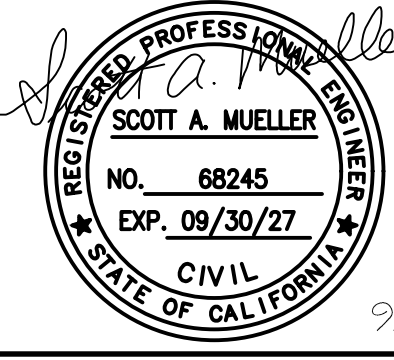
GENERAL SHEET NOTES

1. GENERAL SHEET NOTES AND UTILITY DEMOLITION NOTES FROM DRAWING CG101 APPLY TO THIS SHEET.

9 **CG105** **DETAIL AREA 9**
SCALE 1"=20'

10 **CG105** **DETAIL AREA 10**
SCALE 1"=20'

11 **CG105** **DETAIL AREA 11**
SCALE 1"=20'



9/11/2025

REVISIONS				
ZONE	REV.	DESCRIPTION	BY	DATE

FILE	
DRAWN	SM
DESIGNED	SM
CHECKED	DTW

LINE IS 2 INCHES AT FULL SIZE (IF NOT 2"-SCALE ACCORDINGLY)

RFB 8517

SACRAMENTO AREA SEWER DISTRICT

ECHOWATER RESOURCE RECOVERY FACILITY

LDLD ROAD REHABILITATION PROJECT

CIVIL

INTERSECTION PARTIAL PLAN 3

SCALE AS SHOWN

DRAWING NUMBER **C-403**

SHEET NUMBER 16 OF 16