



ADDENDUM NO. 1

RFB #8498 Consumnes River Blvd Rectifier Replacement Project

SACRAMENTO AREA SEWER DISTRICT

Addendum: Drawings and Pictures for Bid Preparation

Attached are the drawings and pictures to assist with your bid submission. Please note that only specific drawing detail sections are relevant to the current project scope.

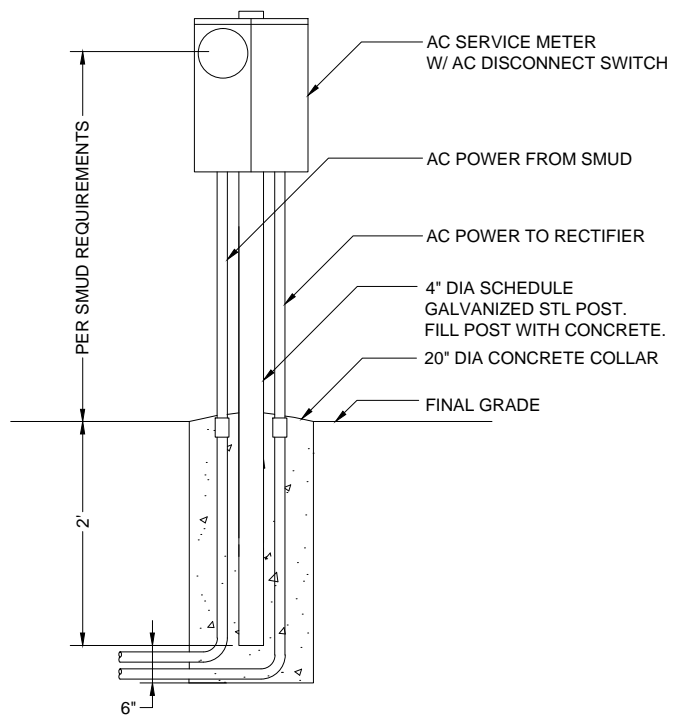
Thank you,

Tyler Carlson
Contract Service Officer

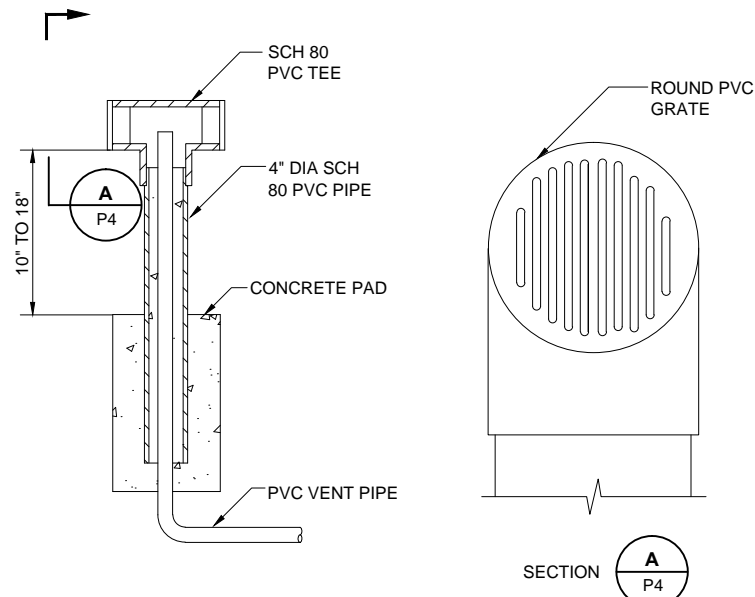
July 31, 2025

Addendum No. 1

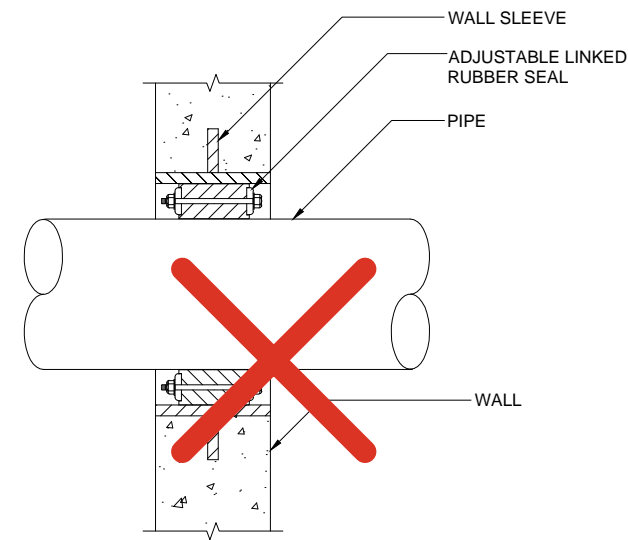
RFP#8498



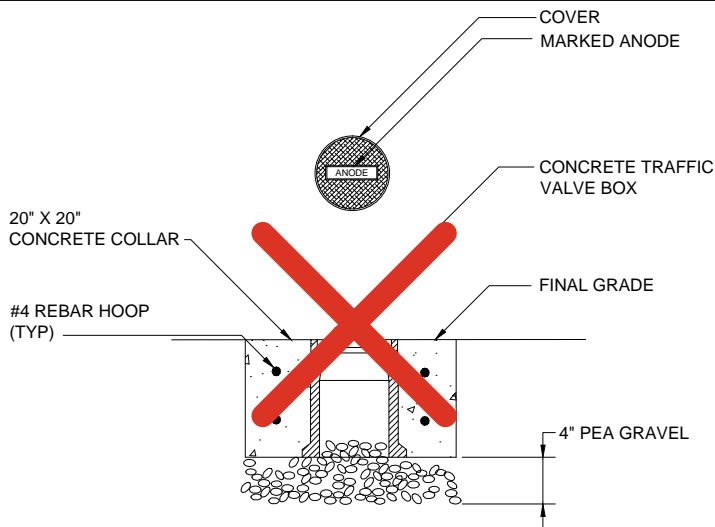
1 AC SERVICE METER
P4 SCALE: NTS



2 VENT PIPE HOUSING
P4 SCALE: NTS

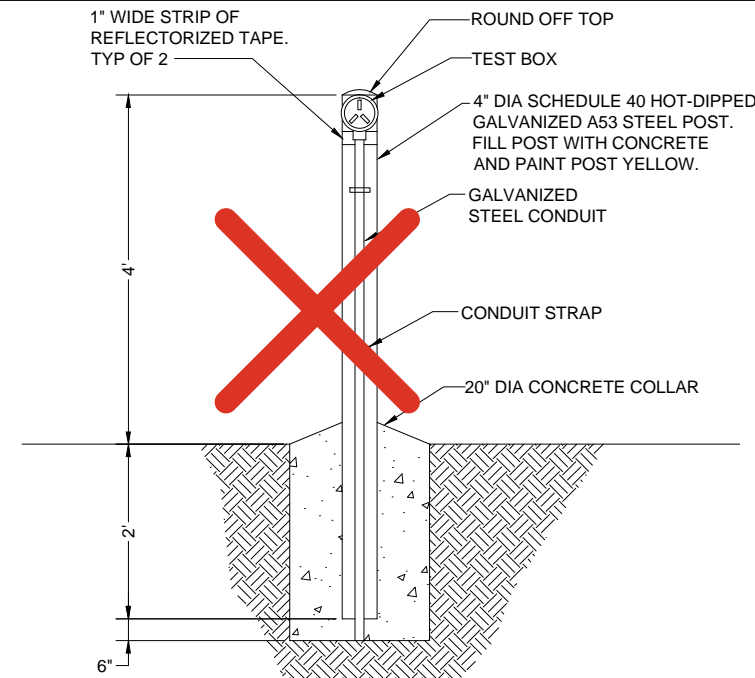


3 WALL PENETRATION
P4 SCALE: NTS



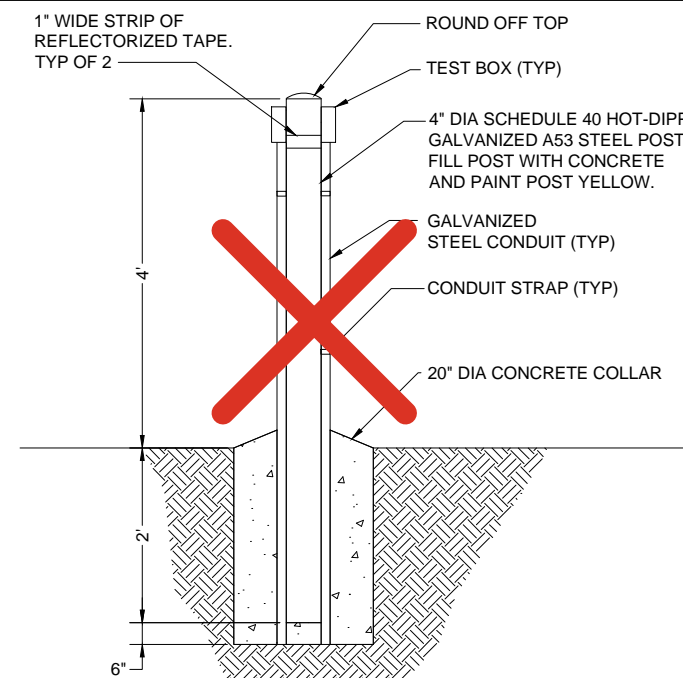
5 TRAFFIC VALVE BOX
P4 SCALE: NTS

NOTE:
CONCRETE COLLAR REQUIRED IF TRAFFIC VALVE BOX IS NOT LOCATED IN RECTIFIER'S CONCRETE PAD



6 POST MOUNTED TEST STATION
P4 SCALE: NTS

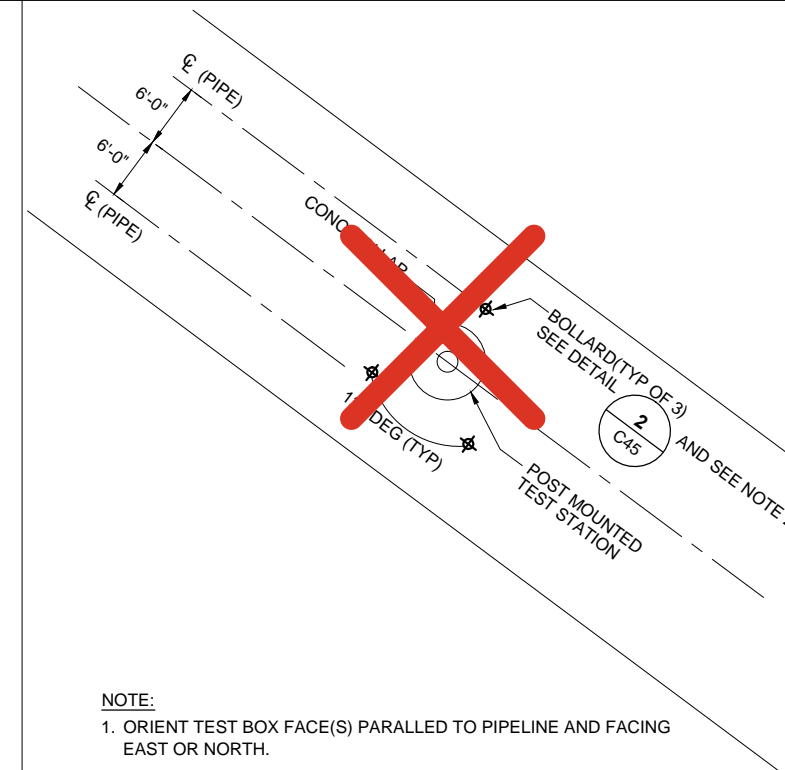
NOTE:
1. FOR BOLLARD LAYOUT, SEE DETAIL



7 DUAL HEADED POST MOUNTED TEST STATION
P4 SCALE: NTS

NOTE:
1. FOR BOLLARD LAYOUT, SEE DETAIL

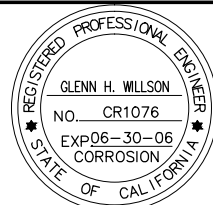
CONTRACTOR'S RECORD DRAWING
THIS MATERIAL HAS NOT BEEN FIELD VERIFIED AND SHOULD BE CONSIDERED FOR REFERENCE ONLY



8 POST MOUNTED TEST STATION BOLLARD LAYOUT
P4 SCALE: NTS

NOTE:
1. ORIENT TEST BOX FACE(S) PARALLEL TO PIPELINE AND FACING EAST OR NORTH.
2. CONSTRUCT STATIONARY BOLLARDS.

CONSULTING ENGINEERS, INC.
Civil Infrastructure Preservation
1999 Harrison Street, Suite 975, Oakland, CA 94612
Tel (510) 903-6600, Fax (510) 903-6601



0 1"
IF THIS BAR IS LESS THAN 1 INCH, IT IS A REDUCED PRINT. SCALE REDUCED SHEET ACCORDINGLY.



DEPARTMENT OF WATER QUALITY
SEWER SYSTEM ENGINEERING
AND DESIGN

SUBMITTED: D. DEUTSCHER DATE: 8/16/04
SUBMITTAL ACCEPTED: DATE: 8/16/04

SACRAMENTO FORCE MAIN
**CATHODIC PROTECTION
TYPICAL DETAILS - III**

CONTRACT NO. 3799
FILE NAME 10014752
DRAWN MQT/WCC
DESIGNED MQT/MN
CHECKED BJC
SHEET DATE
AUG. 23, 2004

SCALE
HOR: NONE
VER: NONE
SHEET
P4
OF 8 SHEETS

PLT BY: S:\P\SERVICEUSER - Nov 07, 2012 - 5:44:45PM
DRAWING: EN:\AutoCAD\Production\AutoCAD\T04\T04\IN\A3\25211B-E065-4D66-A9EF-816411D1D28B.dwg

CAUTION!
HIGH VOLTAGE TERMINALS
DISCONNECT POWER BEFORE
ADJUSTING

C B D E

COARSE

CORRPOWER
RECTIFIER DIVISION

SECONDARY FUSE
E18570
70 AMPERE

FINE

1 2 3 4 5

VOLTS

AMPS

MAIN POWER

ON OFF

CATHODIC PROTECTION RECTIFIER

ANODE STRUCTURE

TESTED DATE
JUL 11 2005

1 2 3 4 5 6 7 8 9 10

POS. NEG.

DRAIN TEST

EAST WEST

TEST TEST

11 12 13 14 15 16 17 18 19 20



N50-CPNL00004

CPNL0004
SACRAMENTO REGIONAL
COUNTY SANITARY DISTRICT
LOWER NORTHWEST INTERCEPTOR
CATHODIC PROTECTION
RECTIFIER STATION
7-4-05

